



US010118724B2

(12) **United States Patent**
Hanan

(10) **Patent No.:** **US 10,118,724 B2**

(45) **Date of Patent:** **Nov. 6, 2018**

(54) **PREFORM EXTENDED FINISH FOR
PROCESSING LIGHT WEIGHT
ECOLOGICALLY BENEFICIAL BOTTLES**

(71) Applicant: **Niagara Bottling, LLC**, Ontario, CA
(US)

(72) Inventor: **Jay Clarke Hanan**, Ontario, CA (US)

(73) Assignee: **Niagara Bottling, LLC**, Ontario (CA)

(*) Notice: Subject to any disclaimer, the term of this
patent is extended or adjusted under 35
U.S.C. 154(b) by 306 days.

(21) Appl. No.: **15/013,141**

(22) Filed: **Feb. 2, 2016**

(65) **Prior Publication Data**

US 2016/0176566 A1 Jun. 23, 2016

Related U.S. Application Data

(63) Continuation-in-part of application No. 14/590,705,
filed on Jan. 6, 2015, which is a continuation of
(Continued)

(51) **Int. Cl.**
B65D 1/02 (2006.01)
B29B 11/14 (2006.01)

(Continued)

(52) **U.S. Cl.**
CPC **B65D 1/0246** (2013.01); **B29B 11/14**
(2013.01); **B29C 49/0073** (2013.01);
(Continued)

(58) **Field of Classification Search**
CPC B65D 1/0246; B65D 2501/0081; B65D
1/0215; B65D 1/023; B29L 2031/7158;
(Continued)

(56) **References Cited**

U.S. PATENT DOCUMENTS

3,029,963 A 4/1962 Evers
3,438,578 A 4/1969 Peterson et al.
(Continued)

FOREIGN PATENT DOCUMENTS

FR 2846946 B1 3/2005
FR 2899204 B1 6/2008
(Continued)

OTHER PUBLICATIONS

International Search Report and Written Opinion for PCT applica-
tion No. PCT/US2012/067795 dated Mar. 13, 2013, by Detlef
Meyer.

(Continued)

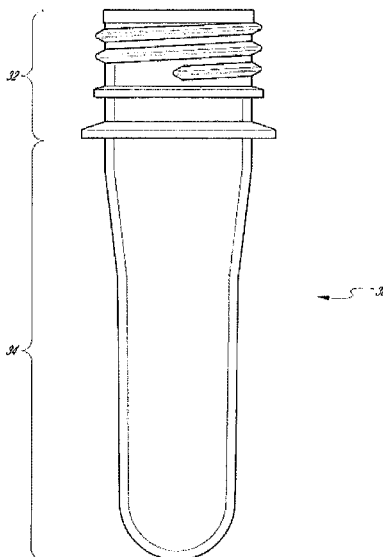
Primary Examiner — Michael C Miggins

(74) *Attorney, Agent, or Firm* — Rutan & Tucker LLP;
Hani Z. Sayed

(57) **ABSTRACT**

Disclosed are preforms which incorporate improvements in
the region of the neck and upper segment of the body to
allow the production of lightweight containers, such as
bottles suitable for containing water or other beverages. In
accordance with certain embodiments, the improvements
include a thinner neck finish area than conventional bottles,
where the thinner area is extended into the upper segment of
the body portion below the support ring. Reducing the
thickness in these areas of the bottle allows for less resin to
be used in forming the preform and bottle.

15 Claims, 10 Drawing Sheets



Related U.S. Application Data

application No. 13/295,699, filed on Nov. 14, 2011,
now Pat. No. 8,956,707.

2101/12; B29C 49/0073; Y10T 428/1352;
Y10T 428/1379; Y10T 428/1397

See application file for complete search history.

(60) Provisional application No. 61/413,167, filed on Nov. 12, 2010.

(51) Int. Cl.

B29C 49/00 (2006.01)
B29L 31/00 (2006.01)
B29B 11/08 (2006.01)
B29K 23/00 (2006.01)
B29K 25/00 (2006.01)
B29K 27/06 (2006.01)
B29K 27/00 (2006.01)
B29K 27/18 (2006.01)
B29K 55/02 (2006.01)
B29K 67/00 (2006.01)
B29K 69/00 (2006.01)
B29K 77/00 (2006.01)
B29K 81/00 (2006.01)
B29K 101/12 (2006.01)

(52) U.S. Cl.

CPC **B65D 1/023** (2013.01); **B65D 1/0215**
(2013.01); **B29B 11/08** (2013.01); **B29B**
2911/1402 (2013.01); **B29B 2911/1404**
(2013.01); **B29B 2911/14026** (2013.01); **B29B**
2911/14033 (2013.01); **B29B 2911/1444**
(2013.01); **B29B 2911/1448** (2013.01); **B29B**
2911/1498 (2013.01); **B29B 2911/14106**
(2013.01); **B29B 2911/14133** (2013.01); **B29B**
2911/14326 (2013.01); **B29B 2911/14333**
(2013.01); **B29B 2911/14466** (2013.01); **B29B**
2911/14486 (2013.01); **B29B 2911/14633**
(2013.01); **B29B 2911/14726** (2013.01); **B29K**
2023/06 (2013.01); **B29K 2023/0625**
(2013.01); **B29K 2023/083** (2013.01); **B29K**
2023/086 (2013.01); **B29K 2023/12** (2013.01);
B29K 2025/00 (2013.01); **B29K 2027/06**
(2013.01); **B29K 2027/08** (2013.01); **B29K**
2027/18 (2013.01); **B29K 2055/02** (2013.01);
B29K 2067/00 (2013.01); **B29K 2067/006**
(2013.01); **B29K 2069/00** (2013.01); **B29K**
2077/00 (2013.01); **B29K 2081/06** (2013.01);
B29K 2101/12 (2013.01); **B29L 2031/7158**
(2013.01); **B65D 2501/0081** (2013.01); **Y10T**
428/1352 (2015.01); **Y10T 428/1379**
(2015.01); **Y10T 428/1397** (2015.01)

(58) Field of Classification Search

CPC . **B29B 11/08**; **B29B 11/14**; **B29B 2911/1402**;
B29B 2911/14026; **B29B 2911/14033**;
B29B 2911/1404; **B29B 2911/14106**;
B29B 2911/14133; **B29B 2911/14326**;
B29B 2911/14333; **B29B 2911/1444**;
B29B 2911/14466; **B29B 2911/1448**;
B29B 2911/14486; **B29B 2911/14633**;
B29B 2911/14726; **B29B 2911/1498**;
B29K 2023/06; **B29K 2023/0625**; **B29K**
2023/083; **B29K 2023/086**; **B29K**
2023/12; **B29K 2025/00**; **B29K 2027/06**;
B29K 2027/08; **B29K 2027/18**; **B29K**
2055/02; **B29K 2067/00**; **B29K 2069/00**;
B29K 2077/00; **B29K 2081/06**; **B29K**

(56)

References Cited

U.S. PATENT DOCUMENTS

D252,530 S 7/1979 Budish
4,316,551 A 2/1982 Belokin, Jr.
4,374,878 A 2/1983 Jakobsen et al.
D294,462 S 3/1988 Ota et al.
4,756,439 A 7/1988 Perock
4,818,575 A 4/1989 Hirata et al.
4,847,129 A 7/1989 Collette et al.
4,863,046 A 9/1989 Collette et al.
4,907,709 A 3/1990 Abe et al.
D315,869 S 4/1991 Collette
D321,830 S 11/1991 York et al.
5,067,622 A 11/1991 Garver et al.
5,092,475 A 3/1992 Krishnakumar et al.
5,133,468 A 7/1992 Brunson et al.
5,178,289 A 1/1993 Krishnakumar et al.
5,199,588 A 4/1993 Hayashi
5,255,889 A 10/1993 Collette et al.
5,279,433 A 1/1994 Krishnakumar et al.
5,281,387 A 1/1994 Collette et al.
D345,693 S 4/1994 Edstrom
5,303,833 A 4/1994 Hayashi et al.
5,303,834 A 4/1994 Krishnakumar et al.
5,337,909 A 8/1994 Vaillencourt
5,341,946 A 8/1994 Vaillencourt et al.
D352,238 S 11/1994 Vaillencourt et al.
D352,245 S 11/1994 Krishnakumar et al.
5,381,910 A 1/1995 Sugiura et al.
5,407,086 A 4/1995 Ota et al.
D358,766 S 5/1995 Vaillencourt et al.
5,411,699 A 5/1995 Collette et al.
D364,565 S 11/1995 Vaillencourt et al.
D366,416 S 1/1996 Semersky
D366,417 S 1/1996 Semersky
5,632,397 A 5/1997 Fandoux et al.
5,669,520 A 9/1997 Simpson
5,704,503 A 1/1998 Krishnakumar et al.
D391,168 S 2/1998 Ogg
D393,802 S 4/1998 Collette et al.
5,762,221 A 6/1998 Tobias et al.
D397,614 S 9/1998 Krishnakumar et al.
D402,895 S 12/1998 Takahashi et al.
D404,308 S 1/1999 Takahashi et al.
D407,649 S 4/1999 McCallister et al.
D407,650 S 4/1999 Takahashi et al.
D411,453 S 6/1999 Piccioli et al.
5,908,128 A 6/1999 Krishnakumar et al.
D413,519 S 9/1999 Eberle et al.
5,971,184 A 10/1999 Krishnakumar et al.
5,988,417 A 11/1999 Cheng et al.
6,016,932 A 1/2000 Gaydos et al.
D419,882 S 2/2000 Bretz et al.
D420,592 S 2/2000 Bretz et al.
6,036,037 A 3/2000 Scheffler et al.
D423,365 S 4/2000 Eberle et al.
6,044,996 A 4/2000 Carew et al.
6,044,997 A 4/2000 Ogg
6,062,409 A 5/2000 Eberle
D426,460 S 6/2000 Krishnakumar et al.
D427,905 S 7/2000 Eberle
6,092,688 A 7/2000 Eberle et al.
D429,647 S 8/2000 Warner et al.
D430,493 S 9/2000 Weick
6,112,925 A 9/2000 Nahill et al.
D434,330 S 11/2000 Rowe et al.
D440,157 S 4/2001 Lichtman et al.
D440,158 S 4/2001 Bretz et al.
D440,877 S 4/2001 Lichtman et al.
D441,294 S 5/2001 Lichtman et al.
6,230,912 B1 5/2001 Rashid
6,248,413 B1 6/2001 Barel et al.

(56)

References Cited

U.S. PATENT DOCUMENTS

D445,033	S	7/2001	Bretz et al.
6,257,433	B1	7/2001	Ogg et al.
D446,126	S	8/2001	Bretz et al.
D447,411	S	9/2001	Lichtman et al.
6,296,131	B2	10/2001	Rashid
6,347,717	B1	2/2002	Eberle
D454,500	S	3/2002	Bretz et al.
D465,158	S	11/2002	Peek et al.
D466,021	S	11/2002	Thierjung et al.
D466,819	S	12/2002	Darr et al.
6,494,333	B2	12/2002	Sasaki et al.
D469,358	S	1/2003	Bryant et al.
D469,359	S	1/2003	Bryant et al.
D469,695	S	2/2003	Bryant et al.
D469,696	S	2/2003	Bryant et al.
D470,773	S	2/2003	Darr et al.
D472,470	S	4/2003	Bretz et al.
6,554,146	B1	4/2003	DeGroff et al.
D476,236	S	6/2003	Ungrady et al.
6,585,125	B1	7/2003	Peek
D479,690	S	9/2003	DeGroff
6,616,001	B2	9/2003	Saito et al.
D480,957	S	10/2003	Mooney et al.
D485,765	S	1/2004	Thierjung et al.
6,722,514	B2	4/2004	Renz
6,739,467	B2	5/2004	Saito et al.
D494,475	S	8/2004	Thierjung et al.
D497,551	S	10/2004	Gamel et al.
6,830,158	B2	12/2004	Yourist
6,841,262	B1	1/2005	Beck et al.
D502,108	S	2/2005	Gamel et al.
D503,625	S	4/2005	Nelson et al.
D503,885	S	4/2005	Bretz et al.
D504,063	S	4/2005	Bretz et al.
D506,675	S	6/2005	Bretz et al.
D506,676	S	6/2005	Bretz et al.
D506,677	S	6/2005	Bretz et al.
D507,491	S	7/2005	Bretz et al.
D507,609	S	7/2005	Bretz et al.
D507,749	S	7/2005	Bretz et al.
D508,857	S	8/2005	Bretz et al.
6,932,230	B2	8/2005	Pedmo et al.
D510,526	S	10/2005	Bretz et al.
7,025,219	B2	4/2006	Heisner et al.
7,032,770	B2	4/2006	Finlay et al.
D525,530	S	7/2006	Livingston et al.
D527,643	S	9/2006	Gottlieb
7,172,087	B1	2/2007	Axe et al.
D538,660	S	3/2007	Gatewood
7,198,164	B2	4/2007	Yourist et al.
D548,106	S	8/2007	Martinez et al.
7,258,244	B2	8/2007	Ungrady
D551,081	S	9/2007	Ohara et al.
7,267,242	B2	9/2007	Tanaka et al.
D555,499	S	11/2007	Ross
7,334,695	B2	2/2008	Bysick et al.
7,334,696	B2	2/2008	Tanaka et al.
7,347,339	B2	3/2008	Bangi et al.
7,364,046	B2	4/2008	Joshi et al.
7,416,089	B2	8/2008	Kraft et al.
7,416,090	B2	8/2008	Mooney et al.
D579,339	S	10/2008	Shmagin
7,451,886	B2	11/2008	Lisch et al.
D584,627	S	1/2009	Lepoitevin
D598,779	S	8/2009	Lepoitevin
D610,015	S	2/2010	Yourist et al.
7,694,842	B2	4/2010	Melrose
7,699,183	B2	4/2010	Matsuoka et al.
7,748,551	B2	7/2010	Gatewood et al.
7,748,552	B2	7/2010	Livingston et al.
7,757,874	B2	7/2010	Ross
D621,271	S	8/2010	Soni
7,780,025	B2	8/2010	Simpson, Jr. et al.
D623,529	S	9/2010	Yourist et al.
D624,427	S	9/2010	Yourist et al.
7,798,349	B2	9/2010	Maczek et al.
D630,515	S	1/2011	Bretz et al.
7,861,876	B2	1/2011	Stowitts
7,980,404	B2	7/2011	Trude et al.
8,020,717	B2	9/2011	Patel
8,047,388	B2	11/2011	Kelley et al.
8,091,720	B2	1/2012	Colloud
8,308,007	B2	11/2012	Mast et al.
8,328,033	B2	12/2012	Mast
8,381,496	B2	2/2013	Trude et al.
2001/0030166	A1	10/2001	Ozawa et al.
2004/0000533	A1	1/2004	Kaminen et al.
2005/0279728	A1	12/2005	Finlay et al.
2006/0070977	A1	4/2006	Howell et al.
2006/0113274	A1	6/2006	Keller et al.
2006/0131257	A1	6/2006	Gatewood et al.
2006/0157439	A1	7/2006	Howell
2007/0131644	A1	6/2007	Melrose
2008/0087628	A1	4/2008	Bangi et al.
2009/0020497	A1	1/2009	Tanaka et al.
2009/0065468	A1	3/2009	Hata et al.
2009/0159556	A1	6/2009	Patcheak et al.
2009/0166314	A1	7/2009	Matsuoka
2009/0184127	A1	7/2009	Mooney
2009/0261058	A1	10/2009	Pritchett, Jr.
2009/0261059	A1	10/2009	Pritchett, Jr.
2009/0266785	A1	10/2009	Siegl
2009/0283495	A1	11/2009	Lane et al.
2009/0321383	A1	12/2009	Lane
2010/0023378	A1	1/2010	Ratnam
2010/0028577	A1	2/2010	Siegl
2010/0089865	A1	4/2010	Oguchi et al.
2010/0163513	A1	7/2010	Pedmo
2010/0176081	A1	7/2010	Kaminen et al.
2010/0206837	A1	8/2010	Deemer et al.
2010/0206838	A1	8/2010	Mast et al.
2010/0206839	A1	8/2010	Tanaka et al.
2010/0206892	A1	8/2010	Mast
2010/0213204	A1	8/2010	Melrose
2010/0270259	A1	10/2010	Russell et al.
2010/0286837	A1	11/2010	Jiao et al.
2010/0304168	A1	12/2010	Dornbach
2010/0304169	A1	12/2010	Dornbach
2010/0314348	A1	12/2010	Zoppas et al.
2010/0320218	A1	12/2010	Tanaka
2011/0017700	A1	1/2011	Patcheak et al.
2011/0073559	A1	3/2011	Schlies et al.
2011/0115135	A1	5/2011	Siegl
2012/0027966	A1	2/2012	Barel et al.
2012/0231191	A1	9/2012	Siegl
2012/0248003	A1	10/2012	Hunter et al.

FOREIGN PATENT DOCUMENTS

JP	H07164436	A	6/1995
JP	H09240647	A	9/1997
JP	H1029614	A	2/1998
JP	2004090425	A	3/2004
JP	2008 189721	A	8/2008
JP	2009 045877	A	3/2009
WO	2004/080828	A1	9/2004
WO	2006/005413	A1	1/2006
WO	2006/027092	A1	3/2006
WO	2007/033722	A1	3/2007
WO	2007/124894	A1	11/2007
WO	2011/160748	A1	12/2011
WO	2012/095285	A1	7/2012
WO	2012/156048	A1	11/2012

OTHER PUBLICATIONS

International Search Report and Written Opinion for PCT/US2011/060587 dated Mar. 14, 2012 in 12 pages.

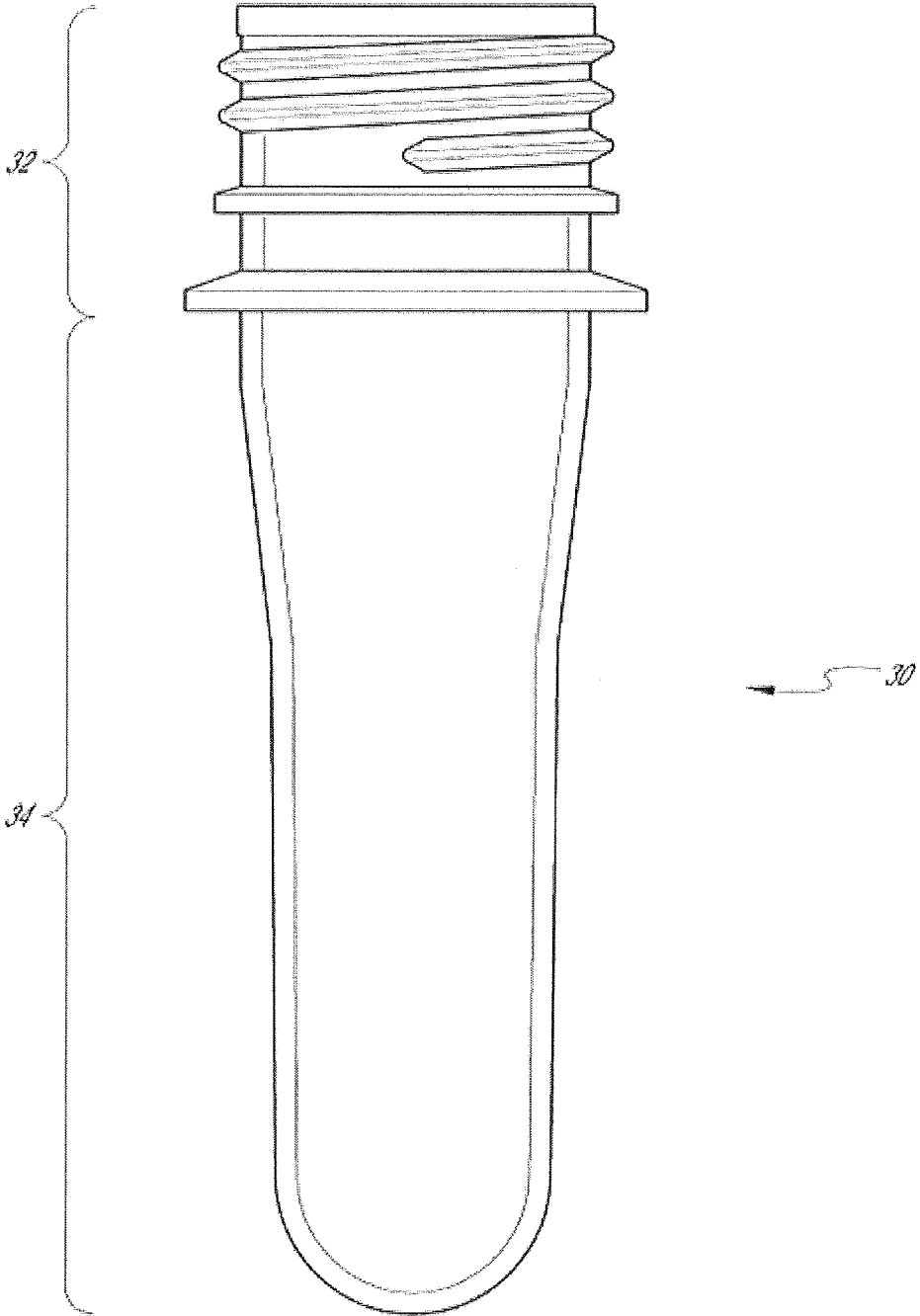


FIG. 1

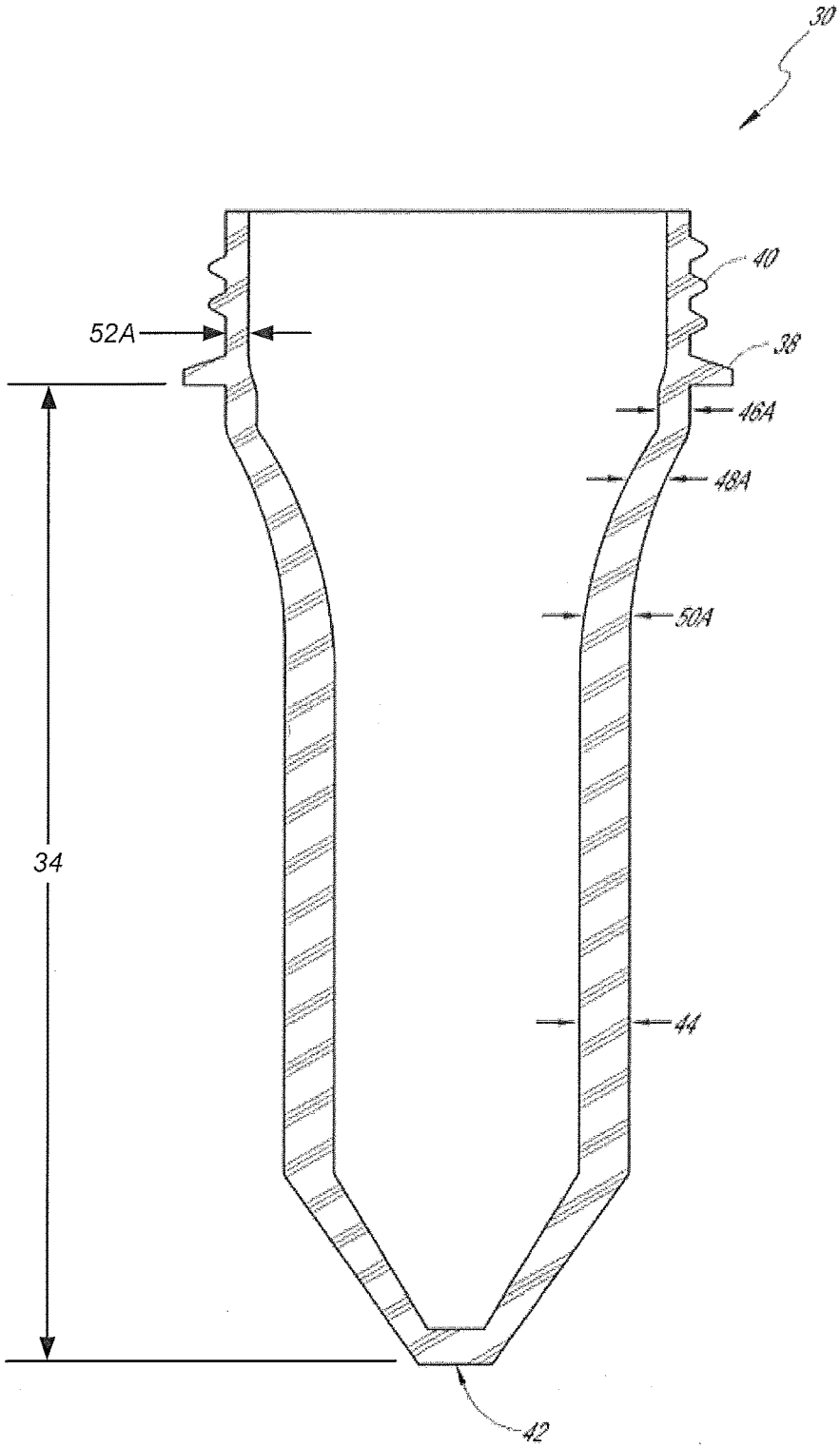


FIG. 2A
(PRIOR ART)

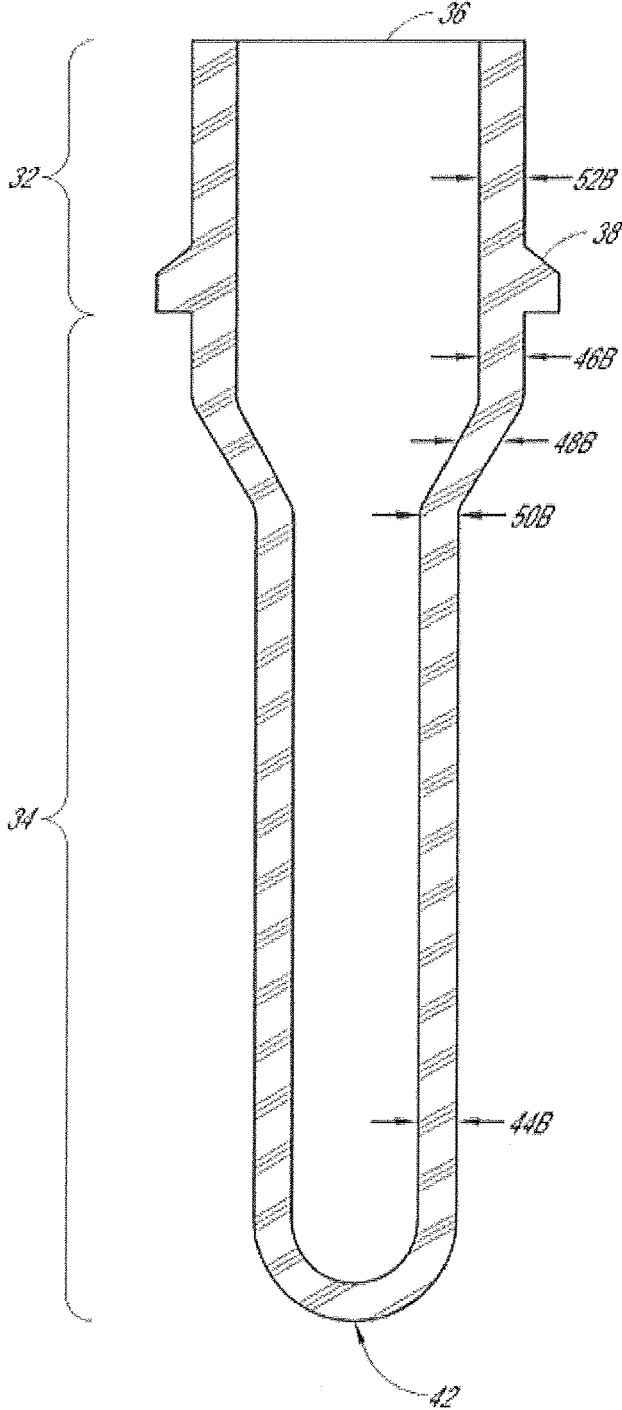


FIG. 2B
(PRIOR ART)

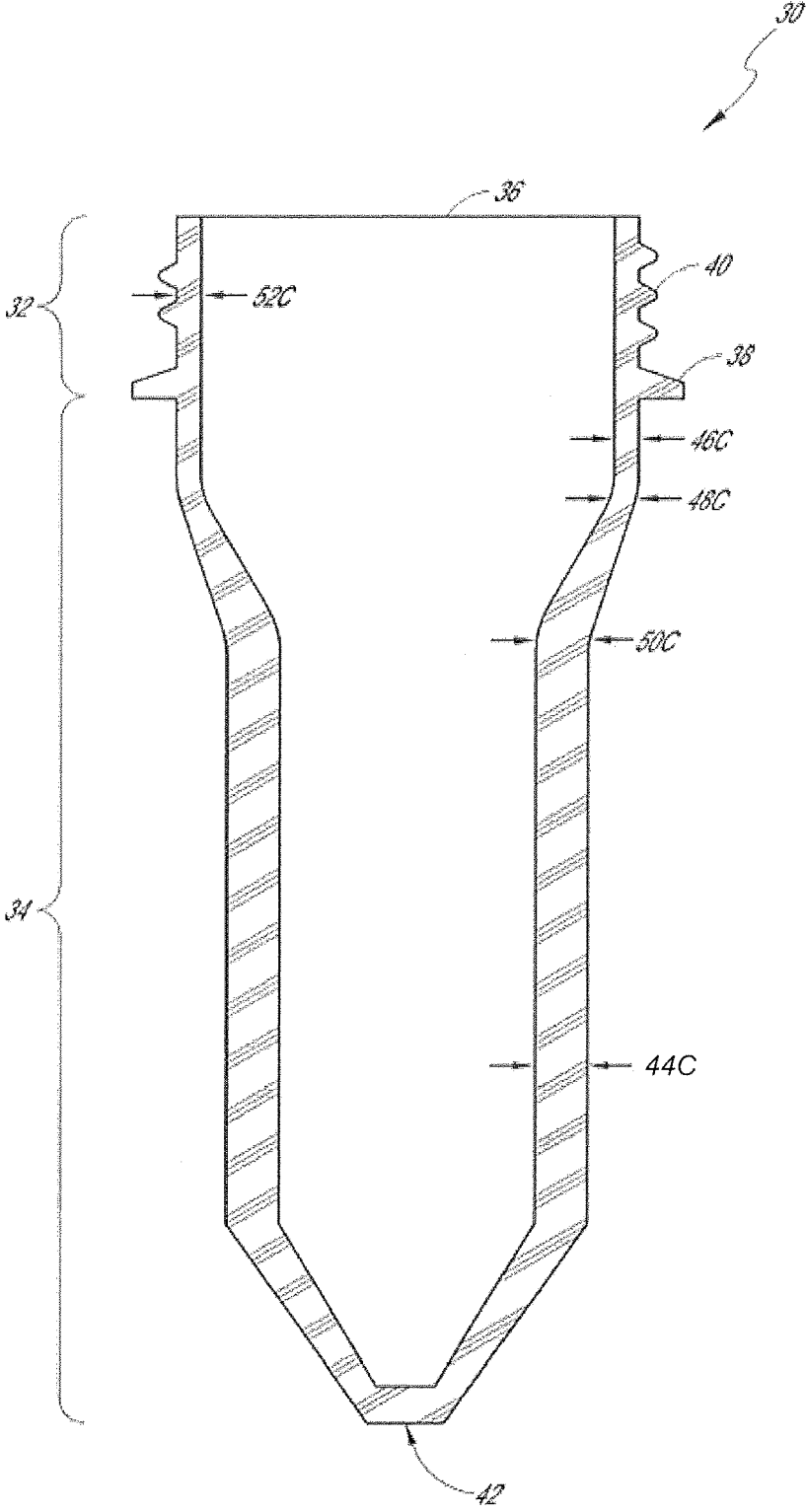


FIG. 2C

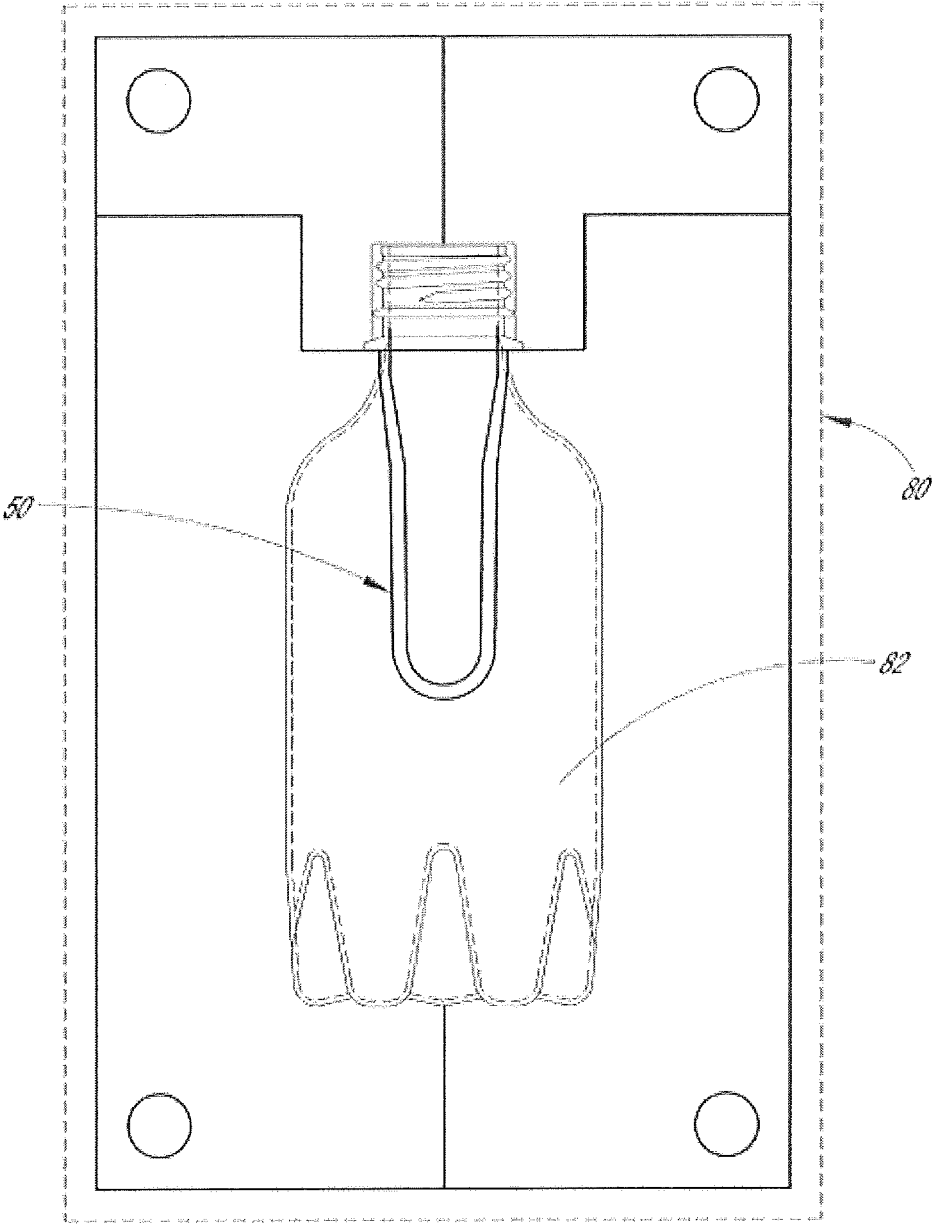


FIG. 3

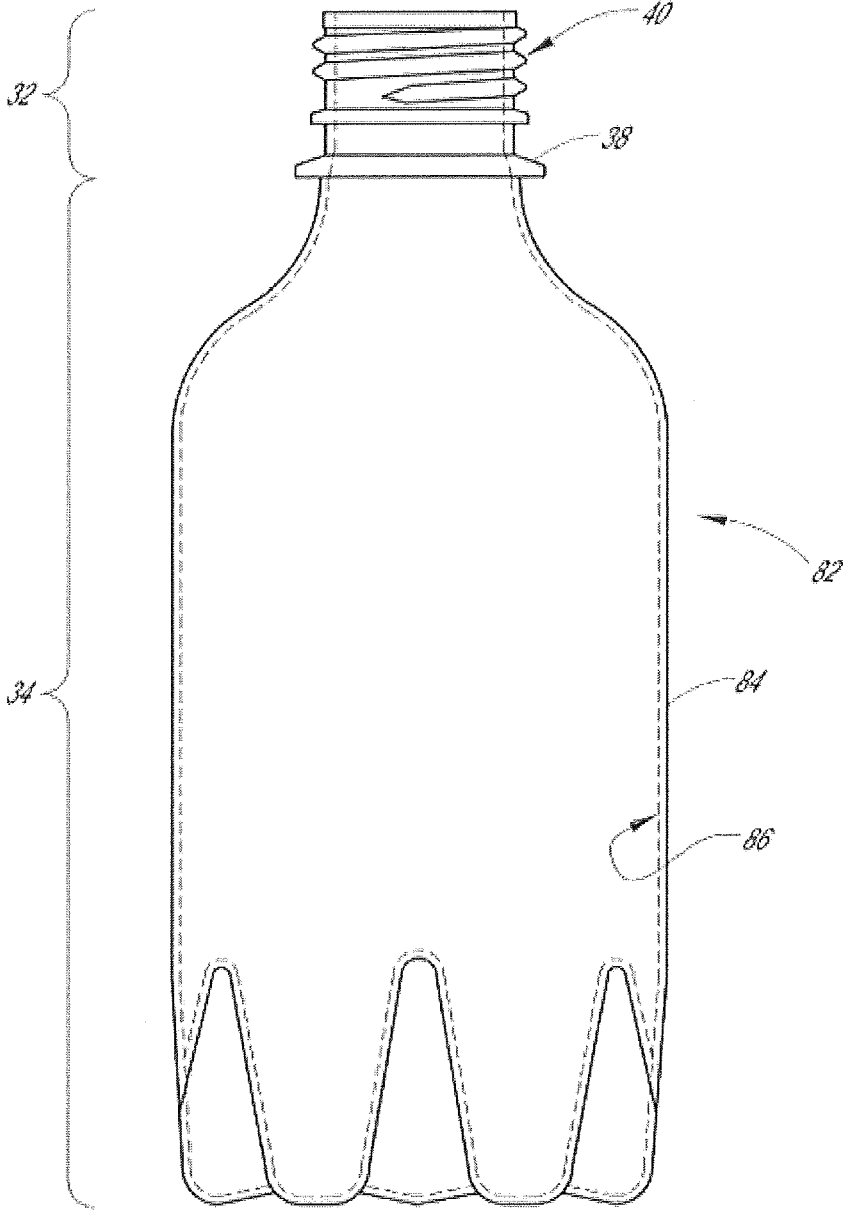


FIG. 4

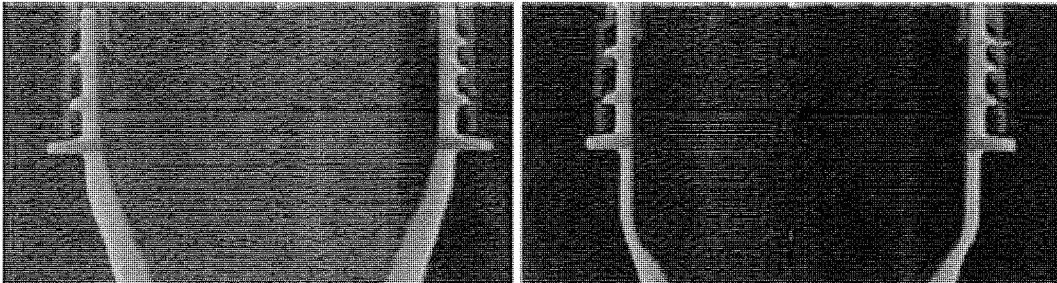


FIG. 5A

FIG. 5B

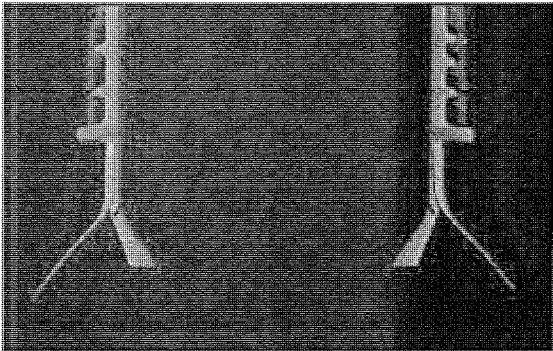


FIG. 6

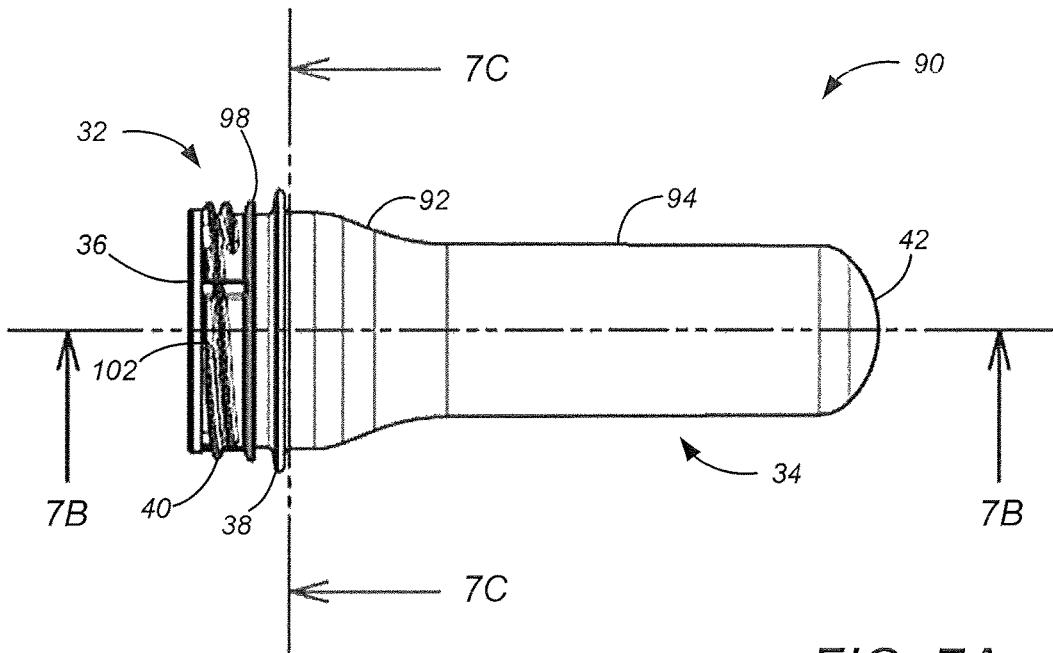


FIG. 7A

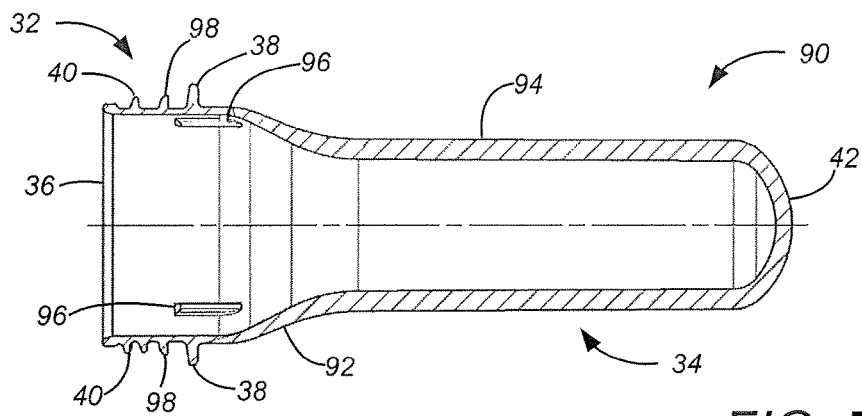


FIG. 7B

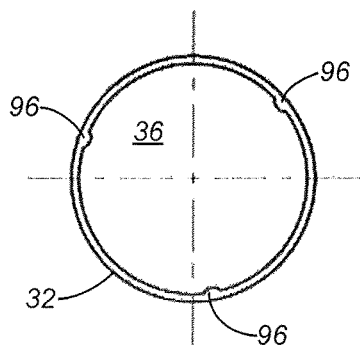


FIG. 7C

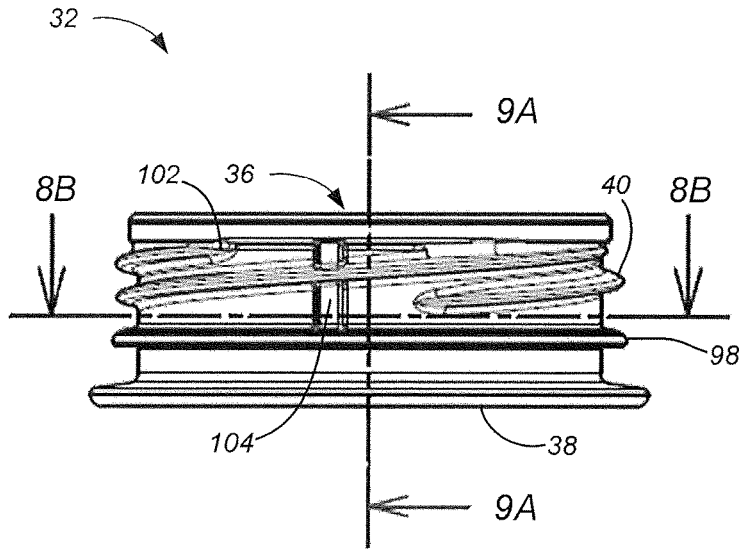


FIG. 8A

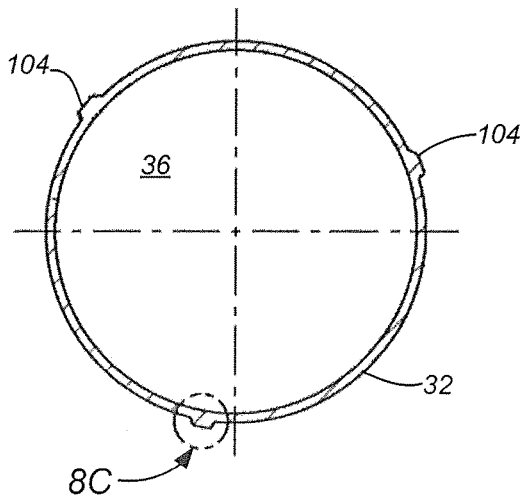


FIG. 8B

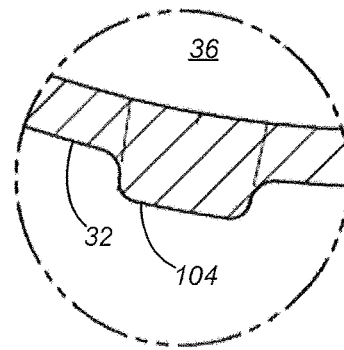


FIG. 8C

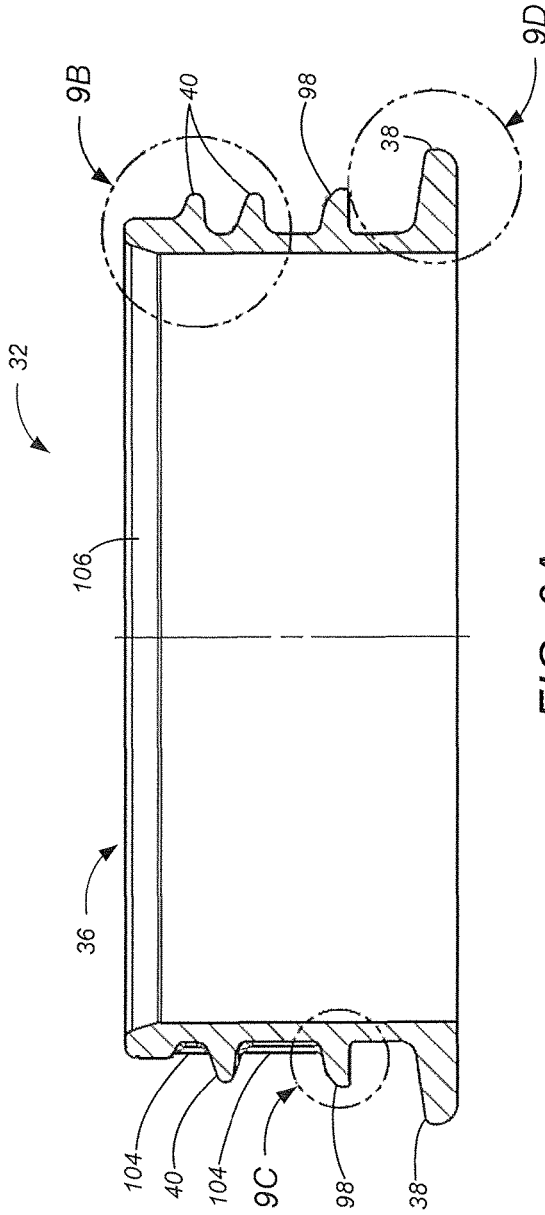


FIG. 9A

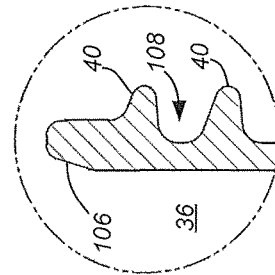


FIG. 9B

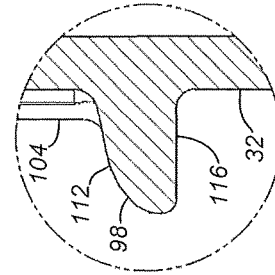


FIG. 9C

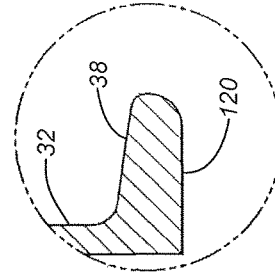


FIG. 9D

1

**PREFORM EXTENDED FINISH FOR
PROCESSING LIGHT WEIGHT
ECOLOGICALLY BENEFICIAL BOTTLES**

PRIORITY

This application is a continuation-in-part of, and claims the benefit of, U.S. patent application Ser. No. 14/590,705, entitled "Preform Extended Finish For Processing Light Weight Ecologically Beneficial Bottles," filed Jan. 6, 2015, which is a continuation of, and claims the benefit of, U.S. patent application Ser. No. 13/295,699, filed on Nov. 14, 2011, which claims benefit to U.S. Provisional Patent Application Ser. No. 61/413,167, filed Nov. 12, 2010. Each of the aforementioned applications is incorporated by reference in its entirety into this application.

FIELD

The field of the present disclosure generally relates to plastic bottles and preforms. More particularly, the field of the present disclosure relates to plastic preforms and bottles blown from such preforms that are suitable for containing beverages and utilize less resin such that they are lighter in weight than conventional bottles.

BACKGROUND

Plastic containers have been used as a replacement for glass or metal containers in the packaging of beverages for several decades. The most common plastic used in making beverage containers today is PET. Containers made of PET are transparent, thin walled, and have the ability to maintain their shape by withstanding the force exerted on the walls of the container by their contents. PET resins are also reasonably priced and easy to process. PET bottles are generally made by a process that includes the blow-molding of plastic preforms which have been made by injection molding of the PET resin.

Advantages of plastic packaging include lighter weight and decreased breakage as compared to glass, and lower costs overall when taking both production and transportation into account. Although plastic packaging is lighter in weight than glass, there is still great interest in creating the lightest possible plastic packaging so as to maximize the cost savings in both transportation and manufacturing by making and using containers that contain less plastic.

SUMMARY

A new approach which relies on a general change in preform design has been invented, which significantly improves the ability to blow efficient, lightweight bottles. The design elegantly incorporates features for protecting critical dimensions of the bottle and stabilizing the production blowing process. These features may also utilize less resin while achieving suitable mechanical performance resulting in a reduction in the use of petroleum products by the industry.

In accordance with embodiments disclosed herein, there is provided a plastic preform suitable for forming a bottle, and a bottle or container made from such a preform. The preform comprises a neck portion adapted to engage a closure and including a support ring at its lowermost point, the neck portion having a first wall thickness, and an elongated body portion including a generally cylindrical wall portion and an end cap. In some embodiments, the

2

upper segment of the body portion adjacent to the support ring has a second wall thickness substantially similar to the first wall thickness and less than a third wall thickness in a lower segment of the body portion. Further embodiments may include one or more of the following features: the second wall thickness is about 25% to about 40% of the third wall thickness; the second wall thickness is about 25% to about 30% of the third wall thickness; the second wall thickness is about 0.7 mm to about 0.8 mm; an axial length of the upper segment is about 25% or more of an axial length of the neck portion; and/or an axial length of the upper segment is about 25% to about 35% of an axial length of the neck portion. In other embodiments, the second wall thickness is thicker or thinner than the first wall thickness by 0.1 mm, 0.2 mm, 0.3 mm, or 0.4 mm. Containers or bottles made from such preforms are also disclosed herein.

In accordance with embodiments disclosed herein, there is provided a plastic preform, comprising a neck portion often including a support ring, wherein the neck portion has a first wall thickness, and a body portion including an elongated cylindrical wall having upper, middle and lower segments, wherein the middle segment has a second wall thickness and the lower segment of the body portion includes an end cap. In some embodiments, the upper segment of the body portion has a wall thickness substantially similar to the first wall thickness and less than the second wall thickness and/or the axial length of the upper segment is about 25% or more of the axial length of the neck portion. Further embodiments may include one or more of the following features: the upper segment wall thickness is about 25% to about 40% of the second wall thickness; the upper segment wall thickness is about 25% to about 30% of the second wall thickness; the upper segment wall thickness is about 0.7 mm to about 0.8 mm; and/or an axial length of the upper segment is about 25% to about 35% of an axial length of the neck portion. In other embodiments, the upper segment wall thickness is thicker or thinner than the first wall thickness by 0.1 mm, 0.2 mm, 0.3 mm, or 0.4 mm. Containers or bottles made from such preforms are also disclosed herein.

In an exemplary embodiment, a preform suitable for being blow-molded to form a container comprises a neck portion comprising an opening to an interior of the preform; a tapered portion comprising a smooth transition from a diameter of the neck portion to a smaller diameter of a cylindrical portion comprising an elongate member that extends to an end cap; and a finish disposed on the neck portion and configured to threadably receive a cap.

In another exemplary embodiment, the tapered portion comprises a wall thickness that smoothly transitions from a wall thickness of the neck portion to a relatively greater wall thickness of the cylindrical portion, the wall thickness of the tapered portion and the wall thickness of the cylindrical portion being suitable for being blow-molded into a predetermined shape and size of the container.

In another exemplary embodiment, the finish comprises one or more threads configured to rotatably engage with threads disposed within the cap. In another exemplary embodiment, the one or more threads each extends along a section of the circumference of the neck portion. In another exemplary embodiment, the one or more threads are spaced uniformly around the circumference of the neck portion. In another exemplary embodiment, adjacent of the one or more threads share an intervening valley configured to allow passage of a thread disposed in the cap.

In another exemplary embodiment, the neck portion comprises a plurality of internal columns disposed within the

opening and configured to impart a degree of structural integrity to the neck portion and reduce an amount of material comprising the preform. In another exemplary embodiment, the plurality of internal columns comprises three internal columns that are positioned at substantially 120-degree intervals around the circumference of the neck portion.

In another exemplary embodiment, the neck portion comprises one or more exterior columns configured to maintain a necessary degree of structural integrity of the preform and reduce the amount of material comprising the preform. In another exemplary embodiment, the one or more exterior columns are disposed uniformly around the perimeter of the neck portion, each of the exterior columns comprising a vertically aligned thicker region of the neck portion. In another exemplary embodiment, the one or more exterior columns are positioned in locations around the perimeter of the neck portion that coincide with the locations of internal columns within the opening of the neck portion. In another exemplary embodiment, the one or more exterior columns are positioned at specific intervals between the locations of internal columns within the opening of the neck portion. In another exemplary embodiment, adjacent exterior and interior columns are separated by 60-degree intervals around the circumference of the neck portion.

In another exemplary embodiment, the neck portion comprises a bevel disposed at a beginning of the opening and configured to enter into sliding contact with a sealing flange of the cap, the bevel being configured to compress the sealing flange to a predetermined degree, thereby forming a tight seal suitable to retain pressurized contents within the container.

In an exemplary embodiment, a preform suitable for being blow-molded to form a container comprises a neck portion comprising an opening to an interior of the preform; a body portion comprising a tapered portion that smoothly transitions from the neck portion to a cylindrical portion and an end cap, the body portion comprising a wall thickness suitable for being blow-molded into a desired shape and size of the container; a finish disposed on the neck portion and configured to threadably receive a cap; a plurality of internal columns disposed within the opening; one or more exterior columns disposed around the perimeter of the neck portion; and a bevel disposed at a beginning of the opening and configured to receive a sealing flange of the cap.

In another exemplary embodiment, the plurality of internal columns and the one or more exterior columns are configured to maintain a degree of structural integrity of the neck portion and reduce the amount of material required to form the preform. In another exemplary embodiment, the tapered portion comprises a smooth transition from a diameter and a wall thickness of the neck portion to a relatively smaller diameter and a greater wall thickness of the cylindrical portion.

In another exemplary embodiment, the finish comprises at least three threads configured to rotatably engage with threads disposed within the cap, and wherein an intervening valley is disposed between adjacent of the at least three threads and configured to allow passage of a thread disposed in the cap. In another exemplary embodiment, each of the at least three threads extends along a section of the circumference of the neck portion. In another exemplary embodiment, the section comprises substantially 144-degrees of the circumference. In another exemplary embodiment, the at least three threads are spaced uniformly around the circumference of the neck portion.

BRIEF DESCRIPTION OF THE DRAWINGS

The drawings refer to embodiments of the present disclosure in which:

FIG. 1 illustrates a side plan view of an exemplary embodiment of a preform suitable for being blow-molded to form a bottle, according to the present disclosure;

FIG. 2A illustrates a cross-sectional view of an exemplary preform without an extended lightweight finish;

FIG. 2B illustrates a cross-sectional view of another exemplary preform without an extended lightweight finish;

FIG. 2C illustrates a cross-sectional view of an exemplary embodiment of a preform in accordance with the present disclosure;

FIG. 3 illustrates a cross-sectional view of a preform in the cavity of a blow-molding apparatus of the type that may be used to make a bottle or container, according to the present disclosure;

FIG. 4 illustrates a side plan view of an exemplary embodiment of a bottle or container that has been blow-molded by way of the apparatus illustrated in FIG. 3, according to the present disclosure;

FIG. 5A illustrates a micro-CT slice of a neck and upper body of an exemplary preform as illustrated in FIG. 2A;

FIG. 5B illustrates a micro-CT slice of the neck and upper body of an exemplary embodiment of a preform as is illustrated in FIG. 2C, in accordance with the present disclosure;

FIG. 6 illustrates a superimposition of micro-CT slices of an exemplary preform as illustrated in FIG. 5B and a bottle blown therefrom;

FIG. 7A illustrates a side plan view of an exemplary embodiment of a preform suitable for being blow-molded to form a bottle in accordance with the present disclosure;

FIG. 7B illustrates a cross-sectional view of the preform illustrated in FIG. 7A, taken along a line 7B-7B, according to the present disclosure;

FIG. 7C illustrates a cross-sectional view of the preform illustrated in FIG. 7A, taken along a line 7C-7C in accordance with the present disclosure;

FIG. 8A illustrates a side plan view of an exemplary embodiment of a neck portion suitable for being incorporated into a preform, such as illustrated in FIG. 7A, in accordance with the present disclosure;

FIG. 8B illustrates a cross-sectional view of the exemplary neck portion illustrated in FIG. 8A, taken along a line 8B-8B, according to the present disclosure;

FIG. 8C illustrates a close up, detail view of a portion of the cross-sectional view illustrated in FIG. 8B, in accordance with the present disclosure;

FIG. 9A illustrates a cross-sectional view of the exemplary neck portion illustrated in FIG. 8A, taken along a line 9A-9A, in accordance with the present disclosure;

FIG. 9B illustrates a close up, detail view of a cross-sectional profile of threads illustrated in FIG. 9A, in accordance with the present disclosure;

FIG. 9C illustrates a close up, detail view of a cross-sectional profile of a neck ring illustrated in FIG. 9A, according to the present disclosure; and

FIG. 9D illustrates a close up, detail view of a cross-sectional profile of a support ring illustrated in FIG. 9A, in accordance with the present disclosure.

While the present disclosure is subject to various modifications and alternative forms, specific embodiments thereof have been shown by way of example in the drawings and will herein be described in detail. The invention should be understood to not be limited to the particular forms

disclosed, but on the contrary, the intention is to cover all modifications, equivalents, and alternatives falling within the spirit and scope of the present disclosure.

DETAILED DESCRIPTION

In the following description, numerous specific details are set forth in order to provide a thorough understanding of the present disclosure. It will be apparent, however, to one of ordinary skill in the art that the invention disclosed herein may be practiced without these specific details. In other instances, specific numeric references such as “first preform,” may be made. However, the specific numeric reference should not be interpreted as a literal sequential order but rather interpreted that the “first preform” is different than a “second preform.” Thus, the specific details set forth are merely exemplary. The specific details may be varied from and still be contemplated to be within the spirit and scope of the present disclosure. The term “coupled” is defined as meaning connected either directly to the component or indirectly to the component through another component. Further, as used herein, the terms “about,” “approximately,” or “substantially” for any numerical values or ranges indicate a suitable dimensional tolerance that allows the part or collection of components to function for its intended purpose as described herein.

Disclosed herein are articles, including preforms and containers, which utilize less plastic in their construction while maintaining the ease of processing and excellent structural properties associated with current commercial designs.

FIG. 1 illustrates a side plan view of an exemplary embodiment of a preform 30 suitable for being blow-molded to form a bottle, according to the present disclosure. The preform is preferably made of material approved for contact with food and beverages such as virgin PET and can be of any of a wide variety of shapes and sizes. The preform shown in FIG. 1 is of the type which will form a 12-16 oz. beverage bottle, but as will be understood by those skilled in the art, other preform configurations may be used depending upon the desired configuration, characteristics and use of the final article. The preform 30 may be made by injection molding methods including those that are well known in the art.

FIG. 2A illustrates a cross-sectional view of an exemplary preform 30. The preform 30 has a neck portion 32 and a body portion 34, formed monolithically (i.e., as a single, or unitary, structure). Advantageously, the monolithic arrangement of the preform, when blow-molded into a bottle, provides greater dimensional stability and improved physical properties in comparison to a preform constructed of separate neck and body portions, which are bonded together.

The neck portion 32 begins at an opening 36 to an interior of the preform 30 and extends to and includes a support ring 38. The neck portion 32 is further characterized by the presence of a structure for engaging a closure. In the illustrated embodiment, the structure includes threads 40, which provide a means to fasten a cap to the bottle produced from the preform 30. The illustrated preform has a shorter overall neck area than most conventional preforms, which shorter neck area may also be thinner than in conventional preforms. The thickness of the neck area 52A is measured at the very top or between the threads or any other protruding structures.

The body portion 34 comprises an elongated structure extending down from the neck portion 32 and culminating in an end cap 42. In some embodiments the body portion 34

may be generally cylindrical, and the end cap 42 may be conical or frustoconical and may also be hemispherical, and the very terminus of the end cap may be flattened or rounded. The preform wall thickness 44 through most of the body portion 34 will depend upon the overall size of the preform 30 and the wall thickness and overall size of the resulting container. The preform wall thickness between 48A and 50A is slightly thinner than the wall thickness throughout the straight portion of the body portion, both of which are thicker than at 46A immediately below the support ring 38. A slight taper often below 0.01 mm may also be found from 50A to 44 to help with release of the injected preform from the core during processing.

FIG. 2B illustrates a cross-section of another embodiment of a prior art preform 30. The preform 30 has a neck portion 32 and a body portion 34. The neck portion 32 of the preform is of an axial length as may be found in conventional preforms. Although the thickness of the upper segment or portion of the body portion 46B is of a similar thickness as the neck portion 52B, it is also substantially similar thickness or the same thickness as the remainder of the body portion of the preform (e.g. 44B, 50B). In contrast to the preform 30 illustrated in FIG. 2B, the preform illustrated in FIG. 2C is substantially thicker in the middle segment (e.g. 44C) of the body and in the end cap 42 than in the upper segment (e.g. 46C) of the body portion, which is of a similar thickness or same thickness as the neck portion 52C. In other embodiments, the upper segment of the body portion (e.g. 46C) may be thinner than the neck portion 52C.

In contrast to the preform illustrated in FIG. 2A, the preform 30 illustrated in FIG. 2C has a reduced thickness in the upper portion of the body portion 34 of the preform below the support ring 38, in that point 46C is substantially thinner than the corresponding location 46A in the prior art preform, 48C is of similar thickness to 46C which is much thinner than 48A of the prior art preform, and the thickness increases from point 48C to 50C, at which point the body portion 34 transitions into the straight portion of the preform having the thickness 44C. Preforms and containers blown from such preforms having such a thinned area at the uppermost portion of the body portion are sometimes referred to herein as having an “extended finish.” A further illustration of this difference, in accordance with one embodiment, can be seen in FIG. 5B and FIG. 6. Further, the preform 30 illustrated in FIG. 2C also has a shorter overall neck area than most conventional preforms. As will be appreciated, the shorter neck area may also be thinner than in conventional preforms.

As compared to the prior art preform in FIG. 2A, the thickness at 46C is about 20-50% of the thickness at 46A, the thickness at 48C is about 20-60% of the thickness at 48A, and the thickness at 50C is about 80-100% of the thickness at 50A. In one embodiment, the thicknesses of 46C and 48C differ by less than about 20%, including less than about 10%, or they are substantially the same thickness. As an example, for a preform used to form an 8 oz. bottle, the thickness at 46C is about 0.7 mm, the thickness at 48C is about 0.8, and the thickness at 50C is about 2 mm. By means of comparison, for the prior art preform used to form an 8 oz. bottle, the thickness at 46A is about 1.5 mm the thickness at 48A is about 2 mm, and the thickness at 50A is about 2.5 mm. As another example, for a preform used to form a 16.9 oz. bottle, the thickness at 46C is about 0.7 mm, the thickness at 48C is about 1 mm, and the thickness at 50C is about 2.4 mm, compared to about 1.2 mm at 46A, about 1.8 mm at 48A, and about 2.4 mm at 50A in a prior art

preform. As another example, for a preform used to form a 33.8 oz. bottle, the thickness at **46C** is about 0.75 mm, the thickness at **48C** is about 1 mm, and the thickness at **50C** is about 2.6 mm, compared to about 1.5 mm at **46A**, about 1.9 mm at **48A**, and about 2.7 mm at **50A** in a prior art preform. The total weight of a preform used to form an 8 oz. bottle according to FIG. 2C is about 7 grams as compared to about 12.5 grams for a preform according to FIG. 2A. The total weight of a preform used to form a 16.9 oz. bottle according to FIG. 2C is about 8.5 grams as compared to about 9.2 grams for a preform according to FIG. 2A. The total weight of a preform used to form a 33.8 oz. bottle according to FIG. 2C is about 18.3 grams as compared to about 26 grams for a preform according to FIG. 2A. Using the information provided herein, one skilled in the art can prepare other sizes of preforms that have similar characteristics to those described herein. Also, the dimensions in other useful embodiments of preforms may vary from the above-stated dimensions by between substantially 0.1 mm and substantially 1 mm, inclusive.

In accordance with certain embodiments, the upper segment of the body portion of the preform, which is adjacent to the support ring, has a thickness that is substantially similar to the thickness **52C** of the neck portion **32**. In some such embodiments, the thicknesses of the upper segment and the neck portion **32** may differ by ± 0 mm, 0.1 mm, 0.2 mm, 0.3 mm, or 0.4 mm. In some such embodiments, the thicknesses of the upper segment and the neck may differ by up to 10%, up to 20%, or up to 30%. Accordingly, the thickness of the upper segment of the body portion of the preform may be substantially the same thickness, or it may be either thicker or thinner than the neck portion **52C**. In accordance with other embodiments, the thickness of the upper segment of the body portion **34** of the preform is less than that of a middle or lower segment of the body portion. In some such embodiments, the wall thickness of the upper section is about 10% to about 40% of the thickness of the lower and/or middle section of the body, including about 15% to about 40%, about 15% to about 30%, about 25% to about 35%, about 20% to about 35%, about 20% to about 30%, including about 12%, about 13%, about 17%, about 19%, about 22%, about 24%, about 27%, about 29%, about 31%, and about 33%, including ranges bordered and including the foregoing values. In some such embodiments, the wall thickness of the upper segment of the body is about 0.3 mm to about 0.9 mm, including about 0.3 mm to about 0.5 mm, about 0.4 mm to about 0.7 mm, about 0.5 mm to about 0.9 mm, about 0.7 mm to about 0.8 mm, including about 0.35 mm, about 0.45 mm, about 0.55 mm, about 0.65 mm, about 0.75 mm, and about 0.85 mm, including ranges bordered and including the foregoing values. In accordance with other embodiments, the axial length of the upper segment measures about 20% or more, including about 25% or more of the axial length of the neck portion, including about 20% to about 30%, about 20% to about 35%, about 25% to about 30%, and about 25% to about 35% of the axial length of the neck portion. Preforms may include one or more or all of the features described above.

After a preform, such as that depicted in FIGS. 2A, 2B and 2C, is prepared by injection molding, the preform is subjected to a stretch blow-molding process. Referring to FIG. 3, in this process a preform **50** is placed in a mold **80** having a cavity corresponding to a desired container shape. The preform **50** is then heated and expanded by stretching such as by a stretch rod inserted into the center of the preform to push it to the end of the mold and by air forced into the interior of the preform **50** to fill the cavity within the

mold **80**, creating a container **82**. The blow-molding operation normally is restricted to the body portion **34** of the preform with the neck portion **32**, including the support ring **38**, retaining the original configuration as in the preform.

When performing the stretch blow-molding process to create the container, preforms are conventionally loaded onto a spindle which engages the inner wall of the neck portion of the preform and facilitates transporting the preform into and through the stretch blow-molding machinery. Because of the extended neck finish in accordance with embodiments described herein, it may be beneficial to have the spindle extend into the inner wall of the preform into the region of the upper segment of the body portion, beyond the neck portion. In some embodiments, the spindle loads into the preform the full extent of the extended neck finish. This may be accomplished by adjusting the depth to which the spindle loads and/or by changing the spindle to have sufficient length to extend the greater distance. The extended spindle loading depth helps to maintain the dimensions of the extended neck finish, especially in those embodiments where the extended neck finish is relatively thin such that the dimensional stability of the lower part of the extended neck finish and/or the lower part of the upper segment of the body portion would otherwise be at risk due to exposure to heating elements and/or elevated temperatures in other portions of the body during the stretch blow-molding process.

FIG. 4 illustrates a side plan view of an exemplary embodiment of a container **82** that may be made by way of blow-molding the preform **50** of FIG. 3, or the preforms **30** illustrated in FIGS. 2A, 2B and 2C. The container **82** has a neck portion **32** and a body portion **34** corresponding to the neck and body portions of the preforms **30** illustrated in FIGS. 2A, 2B and 2C. The neck portion **32** is further characterized by the presence of threads **40** or other closure engagement means that provides a way to fasten a cap onto the container **82**.

In preforms having neck finishes that are lighter in weight and portions immediately below the finish (uppermost portion of the body), such as those described herein, the lighter weight portions are more susceptible to damage or softening from the heat supplied to the remainder of the preform during blow-molding. Aggressive cooling of the finish was seen as a way to enable light weighting. Since not all machines cool identically or as effectively, it was observed that to properly blow the bottle, the finish would go through distortion. A short term solution to prevent distorting the finish was to limit heating of the preform below the support ring **38**. This left plastic from the preform in the neck of the bottle. This is referred to as a "ring" in the neck. While unattractive and inefficient from a resin use perspective, such a decision allowed the light weight preform to continue to produce acceptable bottles.

Thus, a concept was conceived where the material normally placed in the preform to be stretched from directly below the support ring was removed and replaced with a wall thickness at the desired dimensions of the finished product. The distance of this bottle "neck" was set by the bottle design, but the new extended finish concept allows for some heating and stretching. By definition the design change also provides for a transition from fully blown bottle to rigidly retained threads across this zone. An extended finish is especially useful in smaller finishes that are substantially shorter from the support ring to the top of the finish as compared to prior finishes that have considerable distance (up to 10 mm) from the threads to the base of the support ring. Such shorter finishes may also be thinner. This new design was also discouraged because having a thin area

upstream of a thicker threaded area in an injection mold would be difficult, if not impossible, to mold properly since it would likely prevent resin from completely filling the neck finish under usual injection pressures. Thus injection limitations have historically limited this approach rather than mechanical performance. Accordingly, in some embodiments, during the injection molding process, the closing of the neck ring can be slightly delayed to allow filling of the small spaces before clamping it down to mold at least the neck and finish. Minimal experimentation is needed to determine the correct timing and amount of polymer melt to ensure complete filling of the neck and finish while minimizing flashing.

In addition to providing lighter weight preforms and bottles, the extended finish preforms disclosed herein, which may incorporate other lightweighting features described herein such as a shorter and/or thinner neck and/or thinner walls in the body portion, can also have the advantage of being produced using a lower cycle time in molding. Lower cycle time increases the number of preforms that can be made by a single piece of equipment in a day and can lower the total energy needed to produce a single preform, resulting in additional cost savings to the manufacturer.

It was also generally thought that a thicker support ring and larger amounts of plastic near that region (above in the finish and below at the uppermost portion of the body) was needed to absorb heat and prevent it from transferring into the finish. This has also been shown by the present applicant to be incorrect. It has been found that the thick ring of plastic provides heat storage and serves as a heat source during later bottle handling and processing steps. Thinning the region below the support ring, under this new perspective, provides resistance to heat travelling up to the finish in that this area can rapidly cool so that it is not a latent heat source during later operations. Since, in certain embodiments, this region does not need to be stretched during blow-molding, it does not need to be heated and the blow-molding procedure and apparatus may be adjusted such that the uppermost portion or upper segment of the preform/container body (in the area of the extended finish) is not heated, or heated very little as compared to the bulk of the body of the preform, as part the blow-molding process. This change is easy to accommodate in modern equipment and makes the production process easier and more stable. For example, the position of the cooling rail or shims may be adjusted to provide greater protection from heat for the extended finish, the intensity of the heating element(s) may be adjusted, and/or the position of the heating element(s) may be adjusted. It should be noted that preforms having an extended finish may be blow-molded in conventional processes that actively heat the lower portion of the extended finish (i.e. the uppermost portion of the body), but such processes are generally less effective in creating consistently stable bottles during production.

The applicant has discovered that when the preform of FIG. 2A is blown to form a bottle in a process that protects the extended finish from heating during blow-molding as described above, the thickness at 46A and 48A changes very little, with essentially all of the wall portion of the bottle being formed from the stretching of the wall around 50A and below. This is shown in FIG. 6 which presents a superimposition of cross-sections of a preform having an extended finish and a bottle blown therefrom. Accordingly, the wall thickness at the lower segment of the neck portion of the preform, including at 46C and 48C, is lessened as described hereinabove to reduce the amount of material needed to form the preform while still maintaining the necessary

degree of structural integrity to allow for ease in blow-molding to form a container that has sufficient mechanical strength to withstand the forces exerted on it during formation, filling, transportation and use.

In accordance with some embodiments herein, the width of the support ring may be increased as compared to that in a standard shorter finish. Given that a 0.6 mm width to the support ring (as in a standard shorter finish) provides forces upon a finger that are considered to be within the pain threshold for a finger, increasing the width may provide greater comfort for the consumer. Accordingly, a width of at least about 1 mm, 1.2 mm, 1.4 mm, 1.6 mm, 1.8 mm, 2 mm, 2.2 mm, 2.4 mm, 2.6 mm or greater would provide greater comfort to the consumer when opening the closure. Alternatively or concomitantly, changes may be made to the cap including by increasing the apparent cap diameter such as by providing ribs on the tamper ring that are of greater height than the remaining cap. Other reasons to widen the ring include conveyor handling, heat sink properties of the ring, better feel when opening the container, greater resistance to damage during processing and transport. It should be noted that increasing the width of the support ring is counter to lightweighting, such that it should be balanced with other considerations when designing a preform and container.

In some embodiments, in which it is desired for the container to be heat-set, it is preferred that the containers be blow-molded in accordance with processes generally known for heat set blow-molding, including, but not limited to, those which involve orienting and heating in the mold, and those which involve steps of blowing, relaxing and reblowing. The mold 80 can quickly cool the container during this process, especially with high heat transfer material absorbing heat from the container at a high rate.

In some embodiments, the blow-mold may be used to produce crystalline neck finishes. For example, the neck portion of the blow-mold and the body portion of the blow-mold can selectively control the temperature of the preform/container to achieve a desired amount of crystallization. Thus, the neck portion of the preform/container can be heated and gradually reduced in temperature to produce a desired amount of crystalline material.

In some embodiments for preforms in which the neck finish is formed primarily of PET, the preform may be heated to a temperature of preferably 80° C. to 120° C., with higher temperatures being preferred for the heat-set embodiments, and given a brief period of time to equilibrate. After equilibration, the preform may be stretched to a length approximating the length of the final container. Following the stretching, pressurized air, such as chilled food grade air, may be forced into the preform which acts to expand the walls of the preform to fit the mold in which it rests, thus creating the container. Fluid may be circulated through the mold so as to rapidly cool the container contacting the interior surface. The temperature of the chilled air for stretching the preform and the temperature of the fluid cooling the mold may be selected based on the desired container finish, production time, and the like.

FIGS. 7A through 7C illustrate an exemplary embodiment of a preform 90 suitable for being blow-molded to form a bottle, such as the container 82, in accordance with the present disclosure. Similar to the preforms 30, 50, the preform 90 comprises a neck portion 32 and a body portion 34 that are monolithically formed. The neck portion 32 begins at an opening 36 to an interior of the preform 90 and extends to a tapered portion 92 of the body portion 34. The tapered portion 92 comprises a smooth transition from a diameter of the neck portion 32 to a relatively smaller

diameter of a cylindrical **94** portion of the preform **90**. The cylindrical portion **94** is a generally elongate member that extends to an end cap **42**.

As best shown in FIG. 7B, a wall thickness of the cylindrical portion **94** is substantially uniform throughout the cylindrical portion and the end cap **42**. A wall thickness of the tapered portion **92**, however, generally decreases from the wall thickness of the cylindrical portion **94** to a relatively thinner wall thickness of the neck portion **32**. As discussed herein, the wall thickness of the cylindrical portion **94** is relatively greater than the wall thickness of the neck portion **32** so as to provide a wall thickness at the desired dimensions of a finished product after being blow-molded into the shape and size of a bottle, such as the container **82**.

As shown in FIGS. 7B and 7C, the neck portion **32** may be characterized by a plurality of longitudinally oriented internal columns **96** within the opening **36**. In the illustrated embodiment, the plurality of internal columns **96** comprises three internal columns that are equally spaced around the circumference of the neck portion **32**. Thus, as shown in FIG. 7C, adjacent internal columns **96** are positioned at substantially 120-degree intervals around the circumference of the neck portion **32**. As will be appreciated, incorporating the plurality of internal columns **96** into the neck portion **32** facilitates incorporating a wall thickness within the neck portion that is relatively thinner than conventional neck portions. Thus, the internal columns **96** facilitate a wall thickness within the neck portion **32** of the preform **90** that reduces the amount of material needed to form the preform **90** while still maintaining the necessary degree of structural integrity to allow for ease in blow-molding to form a container that has suitable mechanical strength to withstand forces encountered during formation, filling, transportation, and use. It should be understood, however, that the number of internal columns **96** may be other than three, and that the spacing between adjacent internal columns **96** need not necessarily be uniform, nor limited to 120-degree intervals.

The neck portion **32** is further characterized by a presence of threads **40** configured to rotatably engage with similar threads disposed within a cap or other suitable closure so as to provide a way to seal contents within the container **82**. In the embodiment illustrated in FIG. 7A, and as shown in greater detail in FIGS. 8A-9D, each of the threads **40** generally extends along a section of the circumference of the neck portion **32** and approaches a neck ring **98**. Thus, when the threads of a cap are engaged with the threads **40**, and the cap is rotated in a clockwise direction, the cap advances toward the support ring **38**. As best shown in FIG. 8A, the threads **40** comprise three threads that each begins at a thread start **102** and extends along a substantially 144-degree section of the neck portion **32**. The thread start **102** is configured to guide the thread **40** into a space, or valley, between adjacent threads of the cap so as to threadably engage the cap with the neck portion **32**, as described herein. Further, the threads **40** generally are disposed adjacently to one another and are spaced uniformly around the circumference of the neck portion **32**. In the embodiment illustrated in FIG. 8A, the thread starts **102** of adjacent threads **40** are spaced at substantially 120-degree intervals around the perimeter of the neck portion **32**. As will be appreciated, however, more or less than three threads **40** may be incorporated into the neck portion **32** without deviating beyond the scope of the present disclosure.

In some embodiments, one or more exterior columns **104** may be incorporated into the neck portion **32**. Similar to the internal columns **96**, described above, the exterior columns **104** facilitate a wall thickness within the neck portion **32** of

the preform **90** that reduces the amount of material needed to form the preform while still maintaining a necessary degree of structural integrity, as described herein. Thus, the exterior columns **104** may be incorporated into the neck portion so as to promote ease in blow-molding to form a container that has suitable mechanical strength to withstand forces encountered during formation, filling, transportation, and use.

In the present embodiment, three exterior columns **104**, each comprising a vertically aligned thicker portion of the neck portion **32**, are disposed uniformly around the perimeter of the neck portion, as best shown in FIGS. 8B and 8C. In some embodiments, however, other than three exterior columns **104** may be disposed around the neck portion **32**, such as, by way of non-limiting example, two exterior columns disposed on opposite sides of the neck portion **32**, or four exterior columns disposed at 90-degree intervals around the neck portion **32**. Further, the spacing between adjacent exterior columns **104** need not be uniform around the perimeter of the neck portion, but rather the exterior columns may be disposed at various intervals around the neck portion.

Moreover, in some embodiments, the external columns **104** may be positioned around the perimeter of the neck portion **32** so as to coincide with the locations of the internal columns **96**. In such embodiments, therefore, the internal columns **96** may be positioned directly beneath the external columns **104**. Alternatively, in some embodiments, the external columns **104** may be positioned at specific intervals between adjacent internal columns **96**. For example, adjacent internal and external **96**, **104** may be separated by 60-degree intervals. Further, the internal and external columns **96**, **104** need not necessarily be positioned at the same distance relative to the opening **36**. In the embodiment illustrated in FIGS. 7A-9D, for example, the external columns **104** are positioned above the neck ring **98**, whereas the internal columns **96** generally extend from the neck ring **98** into the tapered portion **92** of the preform **90**, as best shown in FIG. 7B. It should be understood, therefore, that the internal and external columns **96**, **104** may be incorporated onto the neck portion **32** in any configuration deemed suitable without deviating beyond the spirit and scope of the present disclosure.

FIG. 9A illustrates a cross-sectional view of the neck portion **32**, taken along a line 9A-9A of FIG. 8A. As described above, the neck portion **32** comprises a generally cylindrical member having an opening **36** suitable to provide access to an interior of the container **82**. A bevel **106** is disposed at the beginning of the opening **36**. The bevel **106** is configured to enter into sliding contact with a sealing flange of a suitable cap so as to prevent contents within the container **82** from leaking out of the container. In some embodiments, the bevel **106** may compress the sealing flange to a predetermined degree, thereby forming a tight seal suitable to retain pressurized contents within the container **82**.

FIGS. 9B through 9D illustrate detailed close up views of portions of the cross-sectional view of FIG. 9A. A cross-sectional profile of the threads **40** is illustrated in FIG. 9B. The threads **40** generally extend outward from the neck portion **32** such that a valley **108** is disposed between adjacent threads. The cross-sectional profile of the threads **40** is configured such that the threads advantageously engage with similar threads disposed within a suitable cap for sealing contents within the container **82**. As will be recognized by those skilled in the art, the valley **108** is configured to allow passage of a thread disposed in the cap

to pass between adjacent threads 40 during tightening of the cap onto the neck portion 32, as described herein.

FIG. 9C illustrates a close up view of the cross-sectional profile of the neck ring 98. As shown in FIG. 9C, the neck ring 98 comprises a rounded upper portion 112 and a substantially flat lower portion 116. As will be appreciated, the rounded upper portion 112 facilitates passing a tamper-evident ring portion of the cap over the neck ring 98 during assembly of the cap onto the container 82. The flat lower portion 116 is configured to retain the tamper-evident ring positioned below the neck ring 98 during loosening of the cap. For example, when the cap is initially installed onto the container 82 by a manufacturer, the tamper-evident ring easily passes over the neck ring 98 due to the rounded upper portion 112. When an end-user later loosens the cap, the flat lower portion 116 retains the tamper-evident ring below the neck ring 98, causing the tamper-evident ring to break loose from the cap. Thus, the flat lower portion 116 of the neck ring 98 and the tamper-evident ring of the cap cooperate to indicate to the end-user that the cap has not been previously loosened after being installed by the manufacturer.

FIG. 9D illustrates a close up view of the cross-sectional profile of the support ring 38. In the embodiment illustrated in FIG. 9D, the support ring 38 comprises a substantially flat lower surface 120. As will be recognized, the flat lower surface 120 of the support ring 38 facilitates supporting the preform 90 in the mold 80 during the blow-molding process described above and illustrated in FIG. 3.

The articles described herein may be made from any suitable thermoplastic material, such as polyesters including polyethylene terephthalate (PET), polyolefins, including polypropylene and polyethylene, polycarbonate, polyamides, including nylons (e.g. Nylon 6, Nylon 66, MXD6), polystyrenes, epoxies, acrylics, copolymers, blends, grafted polymers, and/or modified polymers (monomers or portion thereof having another group as a side group, e.g. olefin-modified polyesters). These materials may be used alone or in conjunction with each other. More specific material examples include, but are not limited to, ethylene vinyl alcohol copolymer ("EVOH"), ethylene vinyl acetate ("EVA"), ethylene acrylic acid ("EAA"), linear low density polyethylene ("LLDPE"), polyethylene 2,6- and 1,5-naphthalate (PEN), polyethylene terephthalate glycol (PETG), poly(cyclohexylenedimethylene terephthalate), polystyrene, cycloolefin, copolymer, poly-4-methylpentene-1, poly(methyl methacrylate), acrylonitrile, polyvinyl chloride, polyvinylidene chloride, styrene acrylonitrile, acrylonitrile-butadiene-styrene, polyacetal, polybutylene terephthalate, ionomer, polysulfone, polytetra-fluoroethylene, polytetramethylene 1,2-dioxybenzoate and copolymers of ethylene terephthalate and ethylene isophthalate. In certain embodiments preferred materials may be virgin, pre-consumer, post-consumer, regrind, recycled, and/or combinations thereof.

In some embodiments polypropylene also refers to clarified polypropylene. As used herein, the term "clarified polypropylene" is a broad term and is used in accordance with its ordinary meaning and may include, without limitation, a polypropylene that includes nucleation inhibitors and/or clarifying additives. Clarified polypropylene is a generally transparent material as compared to the homopolymer or block copolymer of polypropylene. The inclusion of nucleation inhibitors helps prevent and/or reduce crystallinity, which contributes to the haziness of polypropylene, within the polypropylene. Clarified polypropylene may be

purchased from various sources such as Dow Chemical Co. Alternatively, nucleation inhibitors may be added to polypropylene.

As used herein, "PET" includes, but is not limited to, modified PET as well as PET blended with other materials. One example of a modified PET is IPA-modified PET, which refers to PET in which the IPA content is preferably more than about 2% by weight, including about 2-10% IPA by weight, also including about 5-10% IPA by weight. In another modified PET, an additional comonomer, cyclohexane dimethanol (CHDM) is added in significant amounts (e.g. approximately 40% by weight or more) to the PET mixture during manufacture of the resin.

Additives may be included in articles herein to provide functional properties to the resulting containers. Such additives include those providing enhanced gas barrier, UV protection, scuff resistance, impact resistance and/or chemical resistance. Preferred additives may be prepared by methods known to those of skill in the art. For example, the additives may be mixed directly with a particular material, or they may be dissolved/dispersed separately and then added to a particular material. Additives are preferably present in an amount up to about 40% of the material, also including up to about 30%, 20%, 10%, 5%, 2% and 1% by weight of the material. In other embodiments, additives are preferably present in an amount less than or equal to 1% by weight, preferred ranges of materials include, but are not limited to, about 0.01% to about 1%, about 0.01% to about 0.1%, and about 0.1% to about 1% by weight.

Another possible additive is microparticulate clay or graphene based materials. These materials comprise tiny, micron or sub-micron size (diameter), particles of materials which enhance the barrier and/or mechanical properties of a material by creating a more tortuous path for migrating gas molecules, e.g. oxygen or carbon dioxide, to take as they permeate a material and/or providing added stiffness. In preferred embodiments nanoparticulate material is present in amounts ranging from 0.05 to 1% by weight, including 0.1%, 0.5% by weight and ranges encompassing these amounts. One preferred microparticulate clay based product is Cloisite® available from Southern Clay Products. In certain embodiments preferred nanoparticles comprise monmorillonite that may be modified with a ternary or quaternary ammonium salt. In further embodiments, such particles comprise organoclays as described in U.S. Pat. No. 5,780,376, the entire disclosure of which is hereby incorporated by reference and forms part of the disclosure of this application. Other suitable organic and inorganic microparticulate clay based or nano-sized products may also be used. Both man-made and natural products are also suitable.

In some embodiments, the UV protection properties of the material may be enhanced by the addition of one or more additives. In a preferred embodiment, the UV protection material used provides UV protection up to about 350 nm or less, preferably about 370 nm or less, more preferably about 400 nm or less. The UV protection material may be used as an additive with layers providing additional functionality or applied separately as a single layer. Preferably additives providing enhanced UV protection are present in the material from about 0.05 to 20% by weight, but also including about 0.1%, 0.5%, 1%, 2%, 3%, 5%, 10%, and 15% by weight, and ranges encompassing these amounts. Preferably the UV protection material is added in a form that is compatible with the other materials. In some embodiments, a preferred UV protection material comprises a polymer grafted or modified with a UV absorber that is added as a concentrate. Other preferred UV protection materials

include, but are not limited to, benzotriazoles, phenothiazines, and azaphenothiazines. UV protection materials may be added during the melt phase process prior to use, e.g. prior to injection molding or extrusion. Suitable UV protection materials are available from Milliken, Ciba and Clariant.

While the invention has been described in terms of particular variations and illustrative figures, those of ordinary skill in the art will recognize that the invention is not limited to the variations or figures described. In addition, where methods and steps described above indicate certain events occurring in certain order, those of ordinary skill in the art will recognize that the ordering of certain steps may be modified and that such modifications are in accordance with the variations of the invention. Additionally, certain of the steps may be performed concurrently in a parallel process when possible, as well as performed sequentially as described above. To the extent there are variations of the invention, which are within the spirit of the disclosure or equivalent to the inventions found in the claims, it is the intent that this patent will cover those variations as well. Therefore, the present disclosure is to be understood as not limited by the specific embodiments described herein, but only by scope of the appended claims.

What is claimed is:

1. A preform suitable for being blow-molded to form a container, the preform comprising:
 - a neck portion comprising an opening to an interior of the preform;
 - a tapered portion comprising a smooth transition from a diameter of the neck portion to a smaller diameter of a cylindrical portion comprising an elongate member that extends to an end cap; and
 - a finish disposed on the neck portion and configured to threadably receive a cap wherein the neck portion comprises a plurality of internal columns disposed within the opening and configured to impart a degree of structural integrity to the neck portion and reduce an amount of material comprising the preform.
2. The preform of claim 1, wherein the plurality of internal columns comprises three internal columns that are positioned at substantially 120-degree intervals around the circumference of the neck portion.
3. The preform of claim 1, wherein the neck portion comprises a bevel disposed at a beginning of the opening and configured to enter into sliding contact with a sealing flange of the cap, the bevel being configured to compress the sealing flange to a predetermined degree, thereby forming a tight seal suitable to retain pressurized contents within the container.
4. The preform of claim 1, wherein the neck portion comprises one or more exterior columns configured to maintain a necessary degree of structural integrity of the preform and reduce an amount of material comprising the preform.
5. The preform of claim 4, wherein the one or more exterior columns are disposed uniformly around the perim-

eter of the neck portion, each of the exterior columns comprising a vertically aligned thicker region of the neck portion.

6. The preform of claim 5, wherein the one or more exterior columns are positioned in locations around the perimeter of the neck portion that coincide with the locations of internal columns within the opening of the neck portion.
7. The preform of claim 5, wherein the one or more exterior columns are positioned at specific intervals between the locations of internal columns within the opening of the neck portion.
8. The preform of claim 7, wherein adjacent exterior and interior columns are separated by 60-degree intervals around the circumference of the neck portion.
9. A preform suitable for being blow-molded to form a container, the preform comprising:
 - a neck portion comprising an opening to an interior of the preform;
 - a body portion comprising a tapered portion that smoothly transitions from the neck portion to a cylindrical portion and an end cap, the body portion comprising a wall thickness suitable for being blow-molded into a desired shape and size of the container;
 - a finish disposed on the neck portion and configured to threadably receive a cap;
 - a plurality of internal columns disposed within the opening;
 - one or more exterior columns disposed around the perimeter of the neck portion; and
 - a bevel disposed at a beginning of the opening and configured to receive a sealing flange of the cap.
10. The preform of claim 9, wherein the plurality of internal columns and the one or more exterior columns are configured to maintain a degree of structural integrity of the neck portion and reduce the amount of material required to form the preform.
11. The preform of claim 9, wherein the tapered portion comprises a smooth transition from a diameter and a wall thickness of the neck portion to a relatively smaller diameter and a greater wall thickness of the cylindrical portion.
12. The preform of claim 9, wherein the finish comprises at least three threads configured to rotatably engage with threads disposed within the cap, and wherein an intervening valley is disposed between adjacent of the at least three threads and configured to allow passage of a thread disposed in the cap.
13. The preform of claim 12, wherein each of the at least three threads extends along a section of the circumference of the neck portion.
14. The preform of claim 13, wherein the section comprises substantially 144-degrees of the circumference.
15. The preform of claim 12, wherein the at least three threads are spaced uniformly around the circumference of the neck portion.

* * * * *