



US00D818368S

(12) **United States Design Patent**
Hanan et al.

(10) **Patent No.:** **US D818,368 S**

(45) **Date of Patent:** **** May 22, 2018**

(54) **PLASTIC UTILITY BOTTLE WITH NARROW NECK**

(71) Applicants: **Jay Clarke Hanan**, Ontario, CA (US);
Zachary Curhan, Ontario, CA (US)

(72) Inventors: **Jay Clarke Hanan**, Ontario, CA (US);
Zachary Curhan, Ontario, CA (US)

(73) Assignee: **Niagara Bottling, LLC**, Ontario, CA (US)

(**) Term: **15 Years**

(21) Appl. No.: **29/543,353**

(22) Filed: **Oct. 23, 2015**

(51) **LOC (11) Cl.** **09-01**

(52) **U.S. Cl.**

USPC **D9/550; D9/520; D9/558**

(58) **Field of Classification Search**

USPC **D9/500, 502-503, 516, 520, 530, D9/537-539, 549-550, 557-558, 715, 719**

CPC **B65D 1/00; B65D 1/02; B65D 1/0223; B65D 23/00; B65D 81/00; B65D 2501/00; B65D 2501/0009**

See application file for complete search history.

(56) **References Cited**

U.S. PATENT DOCUMENTS

D222,851 S *	1/1972	Adomaitis	D9/501
D301,203 S	5/1989	Jolly et al.		
D328,420 S	8/1992	Miller		
D328,430 S	8/1992	Miller		
D364,347 S *	11/1995	Sillince	D9/500
D461,674 S	8/2002	Dorney		
D476,896 S	7/2003	Cheng et al.		
6,634,517 B2 *	10/2003	Cheng	B65D 1/0276 215/371
6,659,298 B2	12/2003	Wong		
D543,462 S *	5/2007	Pedmo	D9/520

D546,183 S	7/2007	Clutter		
D569,729 S	5/2008	Pedmo et al.		
D572,590 S	7/2008	Coulis et al.		
D592,060 S	5/2009	Chupak		
D600,556 S	9/2009	Chupak		
D630,513 S *	1/2011	Zoppas	D9/500
8,097,662 B2 *	1/2012	Schmidt	A23L 3/3436 428/35.7
8,309,622 B2 *	11/2012	Schmidt	A23L 3/3436 428/35.7
D696,946 S	1/2014	Hines		
D697,804 S	1/2014	Hanson et al.		
D706,633 S	6/2014	Reisig et al.		
D706,634 S	6/2014	Herman et al.		
D711,246 S	8/2014	Hanson et al.		
D718,635 S *	12/2014	Fleischhacker	D9/539

(Continued)

Primary Examiner — Dana L Meyrow

(74) *Attorney, Agent, or Firm* — Rutan & Tucker LLP;
Hani Z. Sayed

(57) **CLAIM**

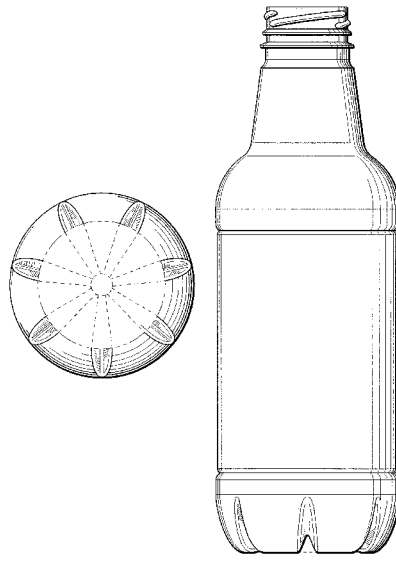
The ornamental design for an plastic utility bottle with narrow neck, as shown and described.

DESCRIPTION

- FIG. 1—Top, front, right side perspective view of the present invention;
- FIG. 2—Top plan view;
- FIG. 3—Bottom plan view;
- FIG. 4—Front elevation view;
- FIG. 5—Rear elevation view;
- FIG. 6—Left side elevation view; and,
- FIG. 7—Right side elevation view.

The short dashed broken lines in the drawings illustrate the portions of the plastic utility bottle with narrow neck that form no part of the claim. The long dashed broken lines in the drawings define the bounds of the claim and form no part thereof.

1 Claim, 3 Drawing Sheets



(56)

References Cited

U.S. PATENT DOCUMENTS

D732,968 S *	6/2015	Heisner	D9/500
D739,245 S *	9/2015	Dachs	B65D 1/0284
			D9/516
2003/0042221 A1 *	3/2003	Wong	B65D 1/0276
			215/373

* cited by examiner

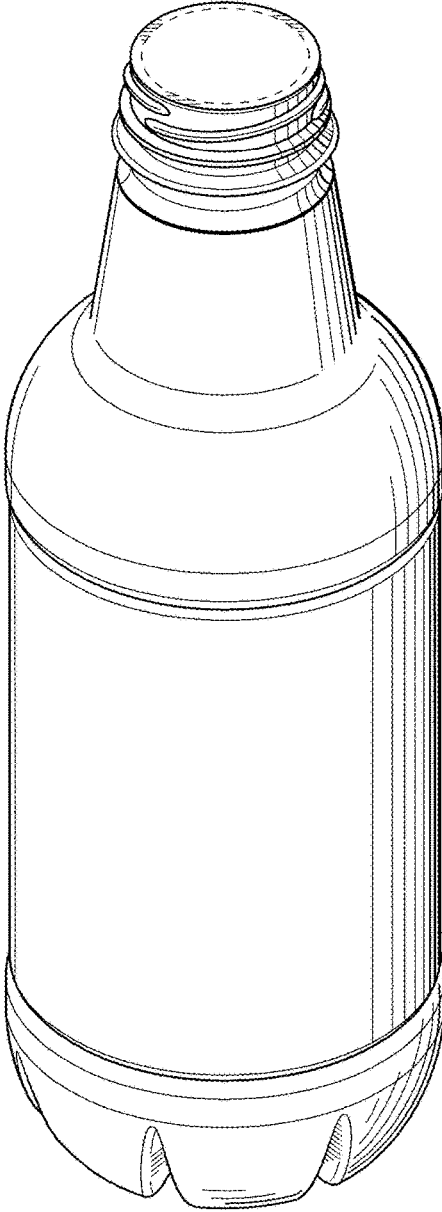


FIG. 1

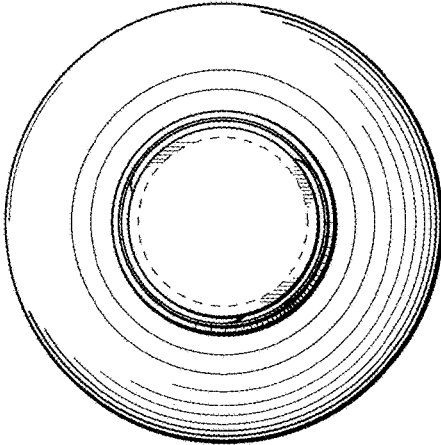


FIG. 2

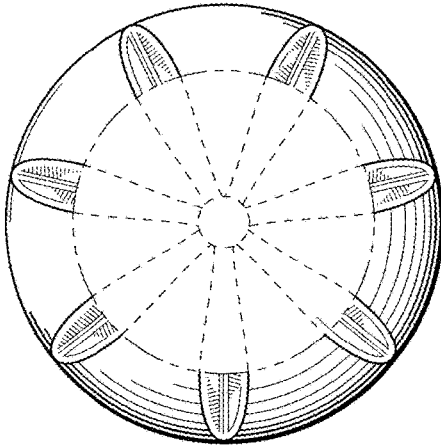


FIG. 3

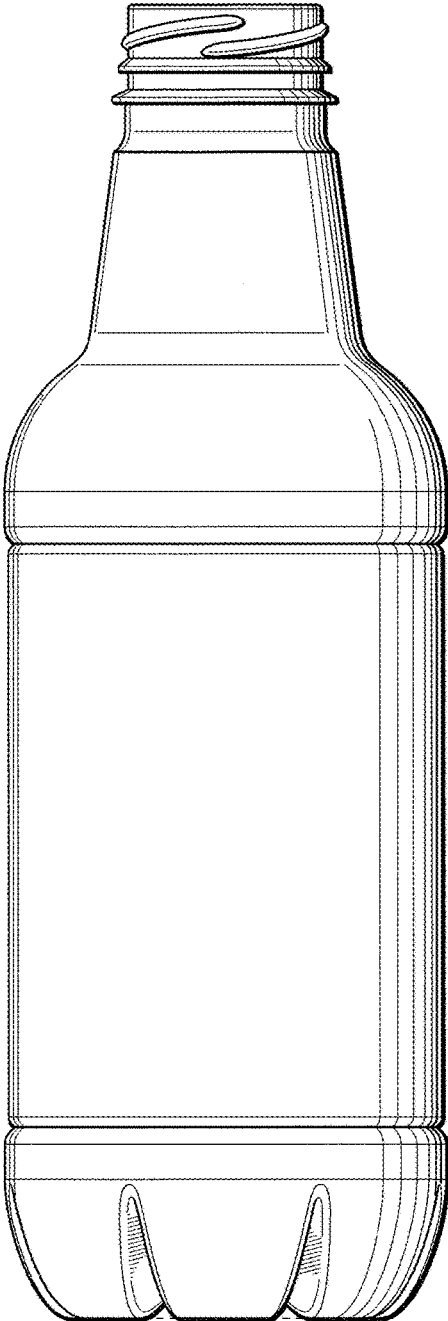


FIG. 4

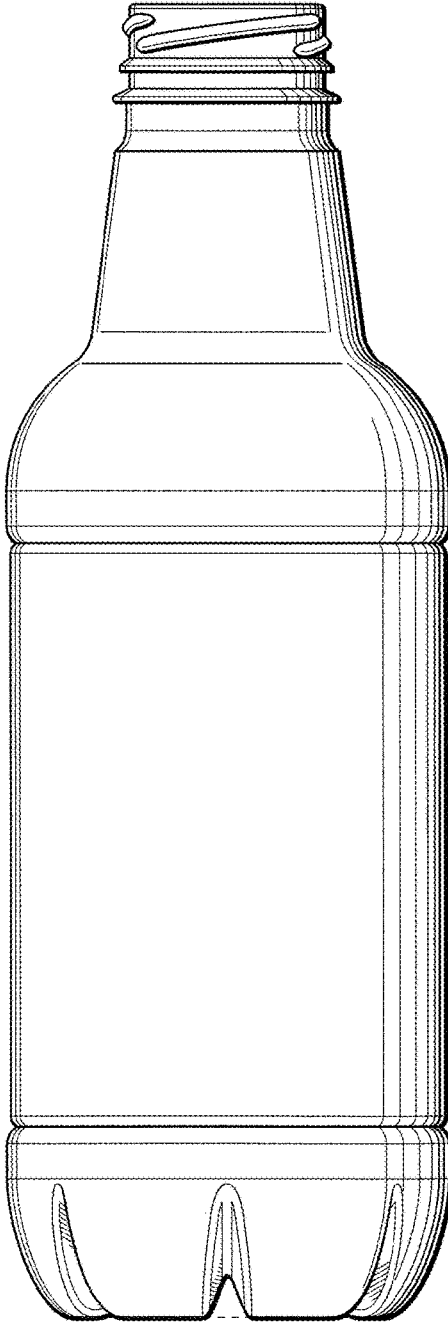


FIG. 5

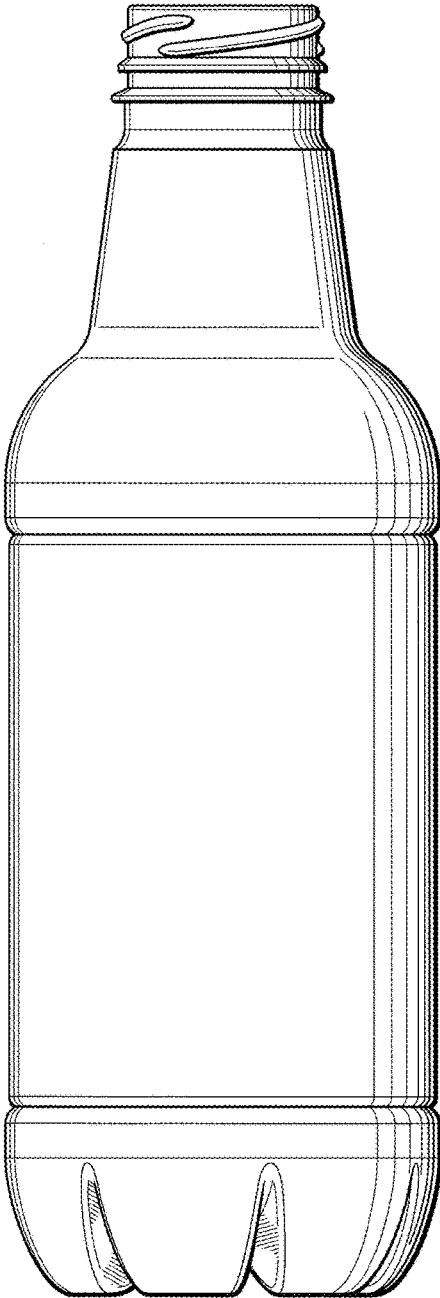


FIG. 6

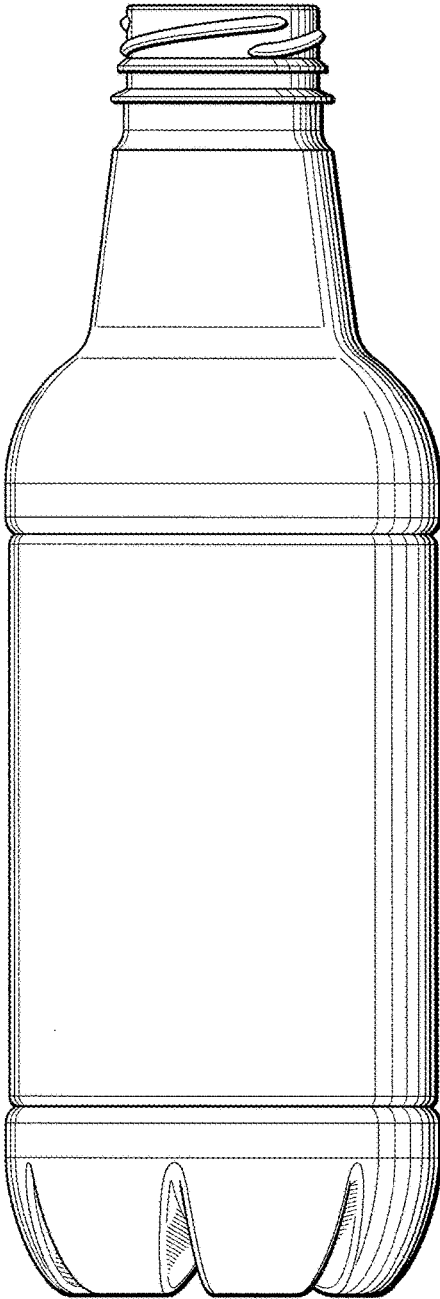


FIG. 7