



US00D762115S

(12) **United States Design Patent**  
**Corvaglia et al.**

(10) **Patent No.:** **US D762,115 S**

(45) **Date of Patent:** **\*\* Jul. 26, 2016**

(54) **LIGHTWEIGHT ERGONOMIC ONE-PIECE CLOSURE**

(71) Applicants: **Romeo Corvaglia**, Balterswil (CH);  
**Manuel Chiavi**, Grossau (CH); **Jay Clarke Hanan**, Ontario, CA (US)

(72) Inventors: **Romeo Corvaglia**, Balterswil (CH);  
**Manuel Chiavi**, Grossau (CH); **Jay Clarke Hanan**, Ontario, CA (US)

(73) Assignees: **Corvaglia Mould AG**, Eschlikon (CH);  
**Niagara Bottling, LLC**, Ontario, CA (US)

(\*\*) Term: **14 Years**

(21) Appl. No.: **29/515,431**

(22) Filed: **Jan. 22, 2015**

(51) **LOC (10) Cl.** ..... **09-07**

(52) **U.S. Cl.**  
USPC ..... **D9/443**

(58) **Field of Classification Search**  
USPC ..... D9/429, 434-436, 439-454, 499, 600,  
D9/601, 614-617, 620, 623, 624, 628;  
D7/387, 392, 393, 396.2, 510, 511,  
D7/514-517, 598, 599, 612.2, 623, 628;  
D3/202, 294, 318  
CPC ..... A61J 1/1412; B65D 1/02; B65D 1/323;  
B65D 1/0246; B65D 25/40; B65D 25/42;  
B65D 25/44; B65D 41/56; B65D 41/62;  
B65D 47/06; B65D 47/08

See application file for complete search history.

(56) **References Cited**

U.S. PATENT DOCUMENTS

D358,769	S	*	5/1995	Luch	.....	D9/438
D359,682	S	*	6/1995	Miller	.....	D9/434
D460,357	S	*	7/2002	Kras	.....	D9/435
D465,731	S	*	11/2002	Brant	.....	D9/453
D527,631	S	*	9/2006	Mallet	.....	D9/449
D548,101	S	*	8/2007	Elgebrant	.....	D9/560
D584,149	S	*	1/2009	Lohrman	.....	D9/453
D592,954	S	*	5/2009	Capretta	.....	D9/453
D606,864	S	*	12/2009	Robinson	.....	D9/453
D632,958	S	*	2/2011	Fuchs	.....	D9/453
D633,386	S	*	3/2011	Taber	.....	D9/453
D634,199	S	*	3/2011	Taber	.....	D9/453
D634,200	S	*	3/2011	Taber	.....	D9/453
D673,852	S	*	1/2013	Wood	.....	D9/453
D687,299	S	*	8/2013	Peykoff	.....	D9/453
D723,919	S	*	3/2015	Taber	.....	D9/438
2012/0031871	A1	*	2/2012	Molinaro	.....	B65D 1/023 215/44

\* cited by examiner

*Primary Examiner* — Karen S Acker

*Assistant Examiner* — Wendy Arminio

(74) *Attorney, Agent, or Firm* — Rutan & Tucker LLP; Hani Z. Sayed

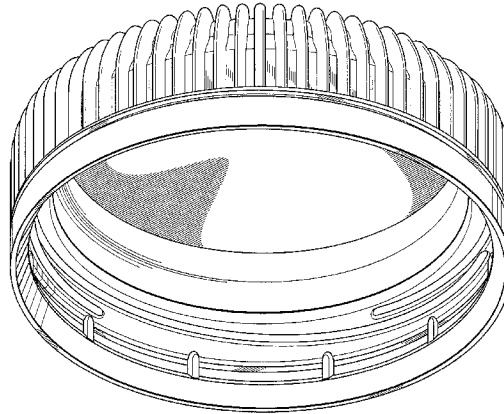
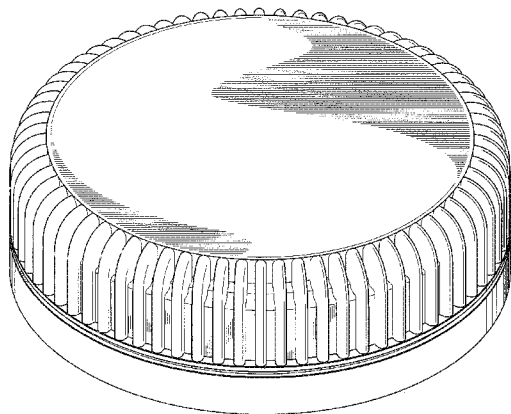
**CLAIM**

(57) The ornamental design for an lightweight ergonomic one-piece closure, as shown and described.

**DESCRIPTION**

FIG. 1 is a top, front, left side, perspective view of the present invention;  
FIG. 2 is a top plan view thereof;  
FIG. 3 is a right side elevation view thereof;  
FIG. 4 is a bottom plan view thereof;  
FIG. 5 is a cross-sectional view thereof taken along line 5-5 of FIG. 2; and,  
FIG. 6 is a bottom inside perspective view of the design of FIG. 1.

**1 Claim, 4 Drawing Sheets**



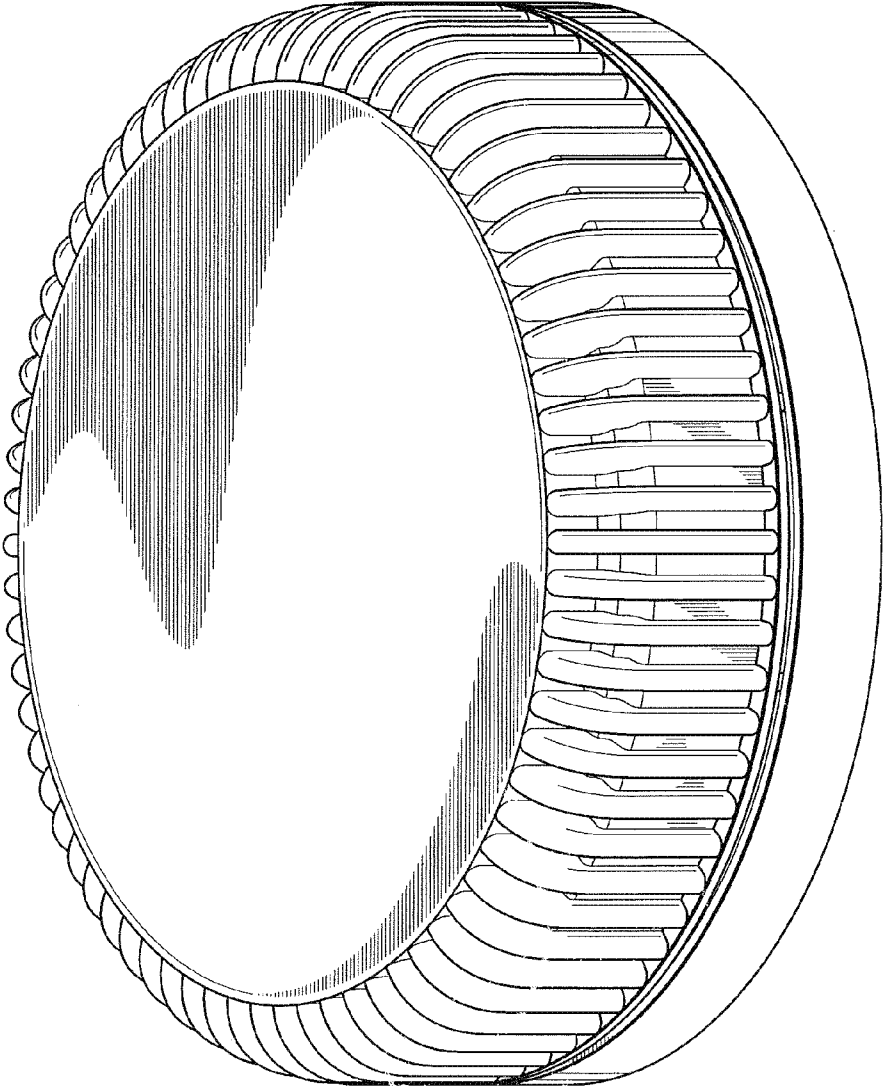


FIG. 1

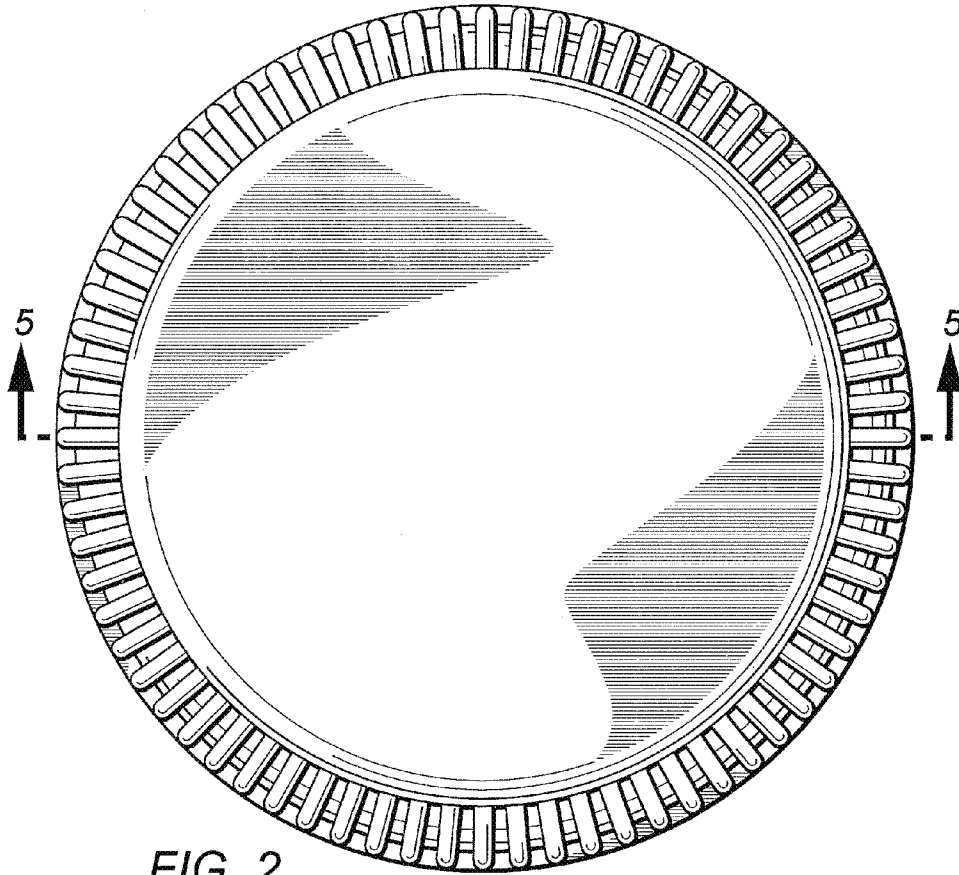
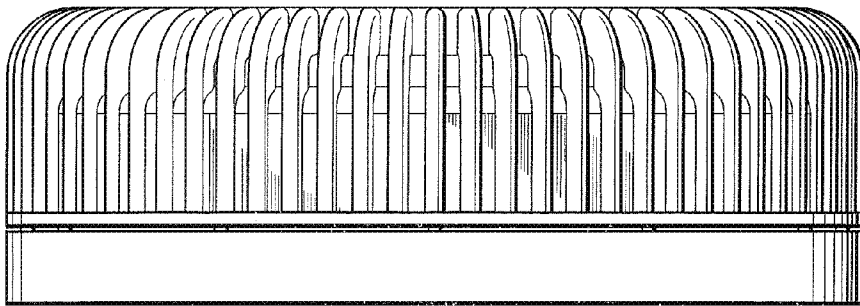


FIG. 2

FIG. 3



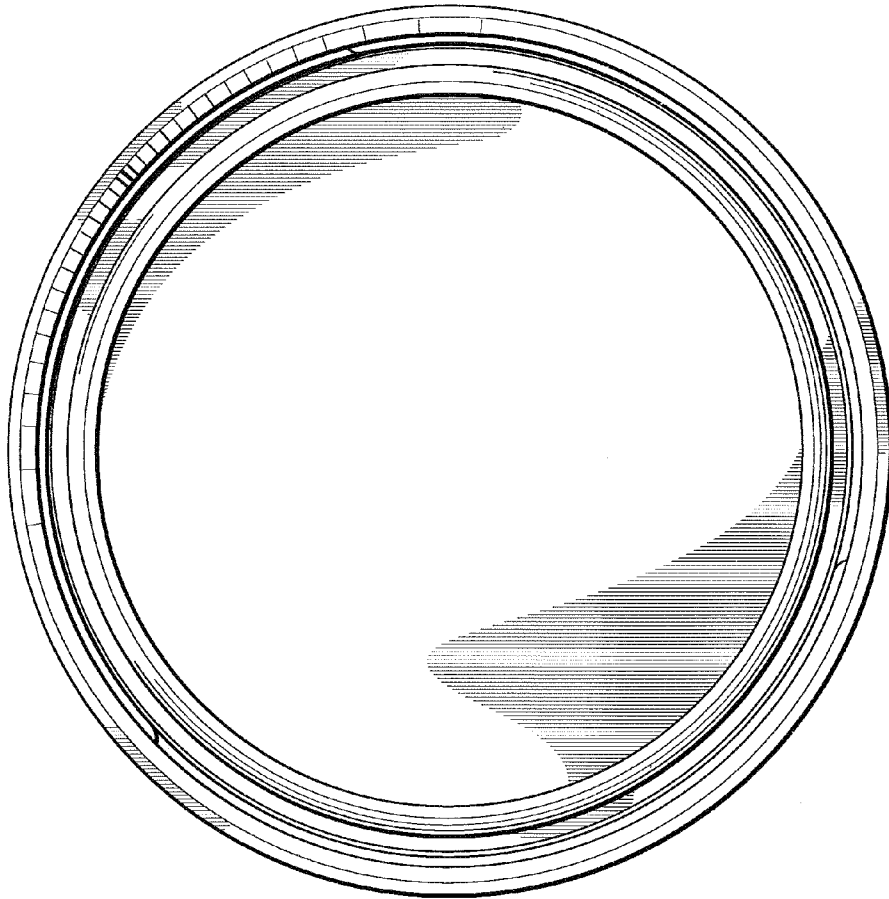
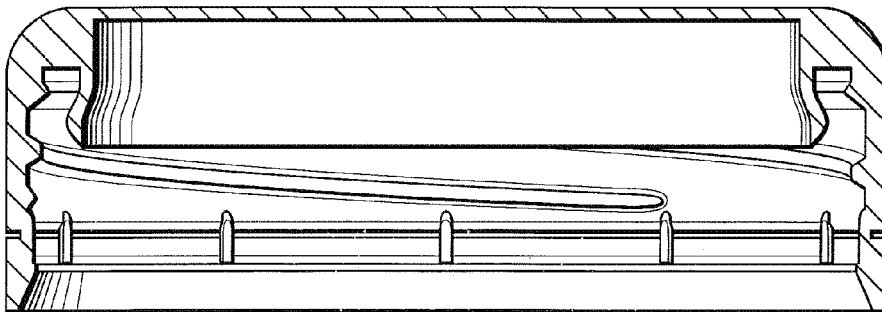


FIG. 4

FIG. 5



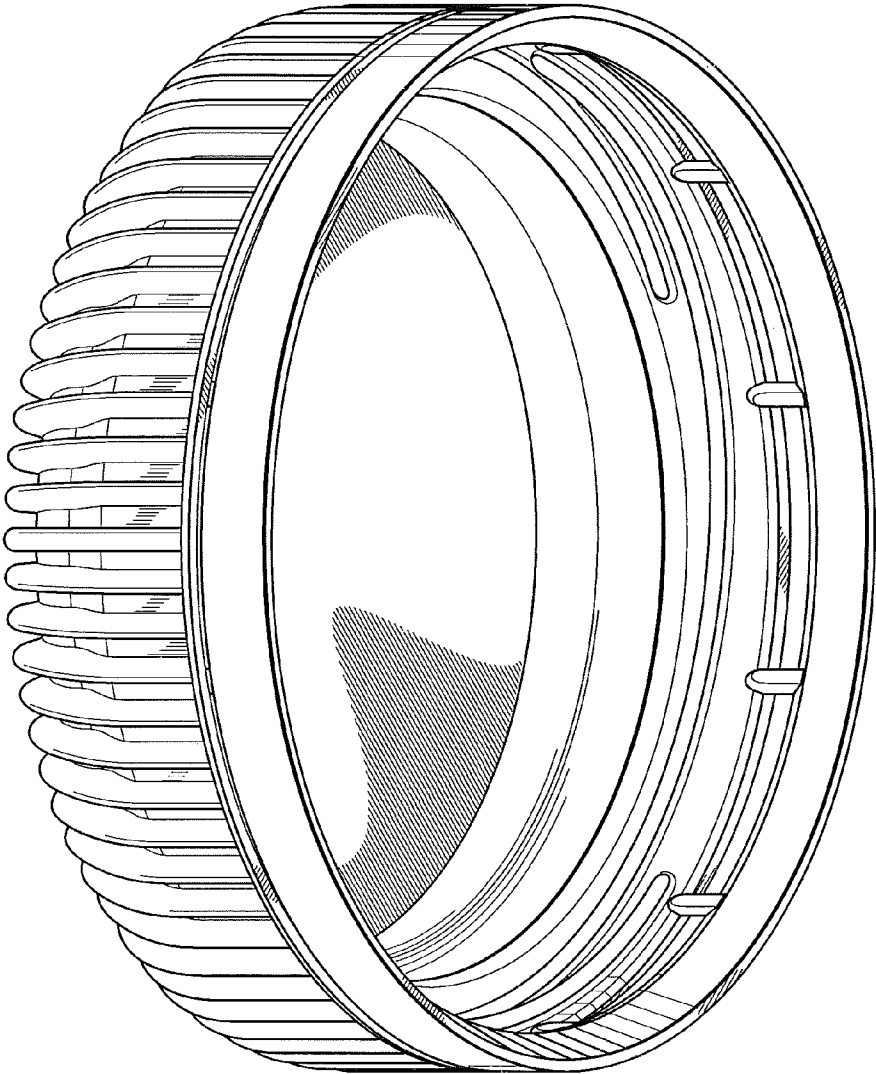


FIG. 6